

## GEMÜ 1215

### Electrical position indicator



### Features

- Position feedback via microswitch
- The housing can be rotated through 360°
- In addition to electrical position indication an optical position indicator is also installed
- ATEX version available as an option
- Standard optical position indicator

### Description

The GEMÜ 1215 electrical position indicator is suitable for mounting to pneumatically operated linear actuators. The position (end position open) of the valve spindle is reliably detected and fed back electronically by the operating bush with a microswitch.

### Technical specifications

- **Ambient temperature:** -15 to 60 °C
- **Supply voltages:** 230 V AC, 50/60 Hz | 24 V DC
- **Protection class:** IP 65
- **Electrical connection types:** PG 11 cable gland | M12 plug
- **Switch types:** Microswitch
- **Conformities:** ATEX | EAC

Technical data depends on the respective configuration



further information  
webcode: GW-1215

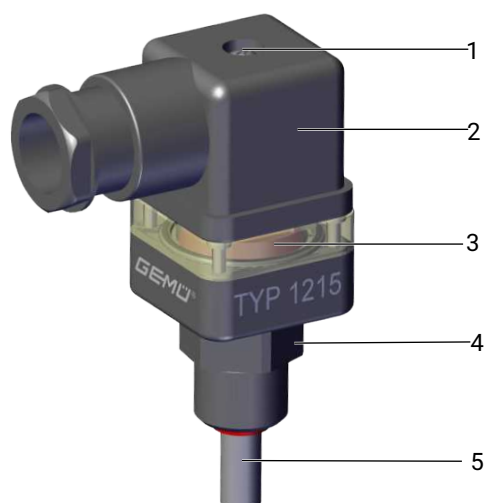


## Contents

- 2 Product description..... 3**
- 3 Order data..... 4**
  - 3.1 Order codes ..... 4
    - 3.1.1 Type..... 4
    - 3.1.2 Fieldbus..... 4
    - 3.1.3 Accessory ..... 4
    - 3.1.4 Index..... 4
    - 3.1.5 Index 2..... 4
    - 3.1.6 Design ..... 4
    - 3.1.7 High Purity version ..... 4
    - 3.1.8 Special version ..... 4
  - 3.2 Order example ..... 4
- 4 Technical data ..... 5**
  - 4.1 Temperature ..... 5
  - 4.2 Product compliance ..... 5
  - 4.3 Mechanical data ..... 5
  - 4.4 Electrical data ..... 5
    - 4.4.1 Microswitch ..... 5
- 5 Dimensions..... 6**
- 6 Electrical connection..... 6**
  - 6.1 Connection diagram - Cable gland or Skintop cable gland ( code without, 0101, 6647, 6968, 7072) ..... 6
  - 6.2 Connection diagram - M12 plug, 4-pin (code 6537)..... 6

## Product description

### Construction



Item	Name	Materials
1	Self-tapping screw	galvanized white
2	Plug housing	PA
3	Standard housing visual display (K number: without (standard), 0101, 6537, 6647)	PA 12 TR 90 UV
	Optional housing visual display (K number: 6968, 7072)	PP natural transparent
4	Base	PP
5	Operating bush	valve-specific

## Order data

The order data provide an overview of standard configurations.

Please check the availability before ordering. Other configurations available on request.

## Order codes

1 Type	Code
Electrical position indicator	1215
2 Fieldbus	Code
Without	000
3 Accessory	Code
Accessory	Z
4 Index	Code
For valve-specific design, contact GEMÜ	
5 Index 2	Code
For valve-specific design, contact GEMÜ	

6 Design	Code
Standard housing visual display, PG11 cable gland	
Media wetted area cleaned to ensure suitability for paint applications, parts sealed in plastic bag, standard housing visual display, PG11 cable gland	0101
Standard housing visual display, M12 plug, 4-pin	6537
Standard housing visual display, PG11 Skintop cable gland	6647
Optional housing visual display, PG11 Skintop cable gland	6968
Optional housing visual display, PG11 cable gland	7072

7 High Purity version	Code
Without	
High Purity	HP

8 Special version	Code
Without	
ATEX version	X

## Order example

Ordering option	Code	Description
1 Type	1215	Electrical position indicator
2 Fieldbus	000	Without
3 Accessory	Z	Accessory
4 Index		For valve-specific design, contact GEMÜ
5 Index 2		For valve-specific design, contact GEMÜ
6 Design		Standard housing visual display, PG11 cable gland
7 High Purity version		Without
8 Special version		Without

## Technical data

### Temperature

Ambient temperature: -15 – 60 °C

Storage temperature: 0 – 40 °C

### Product compliance

EMC Directive: 2014/30/EU

Explosion protection: 2014/34/EU (ATEX)

ATEX marking: Gas:  II 2G IIB T6 X

### Mechanical data

Installation position: Optional

Weight: 45 g

Protection class: IP 65

### Electrical data

Electrical connection type: M12 plug, 4-pin (code 6537)  
PG11 cable gland for cable dia. 6 to 8 mm, recommended wire cross section 0.75 mm<sup>2</sup> (code without, 0101, 7072)  
PG11 Skintop cable gland for cable dia. 4 to 10 mm, recommended wire cross section 0.75 mm<sup>2</sup> (code 6647, 6968)

### Microswitch

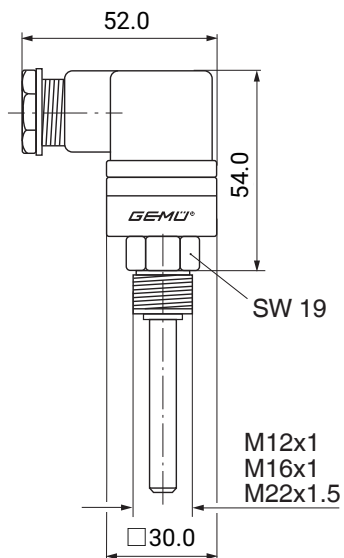
Max. switching voltage: 230 V AC, 50/60 Hz | 24 V DC

Max. switching current: 2.5 A AC, 1 A DC  
Information applies to 40 °C ambient temperature

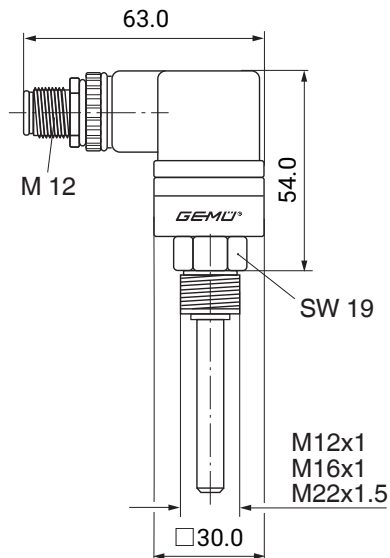
Application category: AC-15, DC-12 (standard function)

## Dimensions

PG11 cable gland



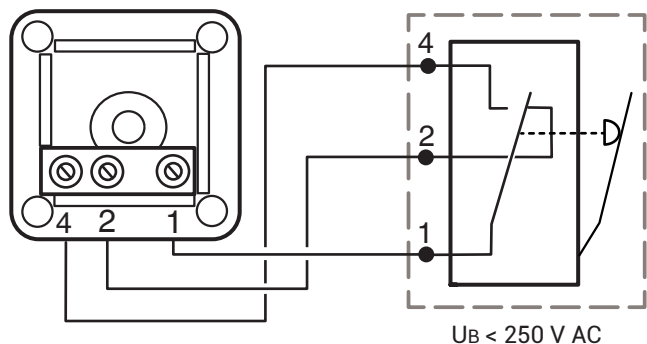
M12 plug, 4-pin



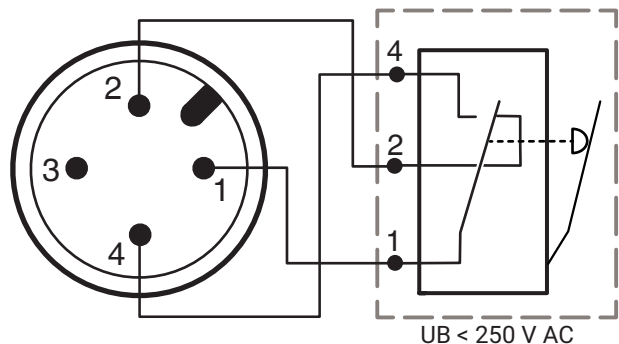
Dimensions in mm

## Electrical connection

**Connection diagram - Cable gland or Skintop cable gland ( code without, 0101, 6647, 6968, 7072)**



**Connection diagram - M12 plug, 4-pin (code 6537)**



Not available as ATEX version (code X).



GEMÜ Gebr. Müller Apparatebau GmbH & Co. KG  
Fritz-Müller-Straße 6-8, 74653 Ingelfingen-Criesbach, Germany  
Phone +49 (0) 7940 1230 · info@gemue.de  
www.gemu-group.com