

Precise control and fast filling

Switch over to the filling and control technology of the future now and benefit from the following advantages with our valves:

- **Precise filling of minimal volumes** thanks to a precise dosing accuracy of $\pm 0.5\%$
- **Process reliability** thanks to a high level of reproducibility of $\pm 0.5\%$
- **Large distribution quantity** thanks to fast filling cycles of < 1 second
- **Low costs** thanks to a long motor service life of > 50 million cycle duties
- **Low maintenance requirements** thanks to the simple replacement of wear parts (cartridge replacement in < 2 minutes)

Precise, fast and low-maintenance

GEMÜ filling and control valves with motorized servo actuator

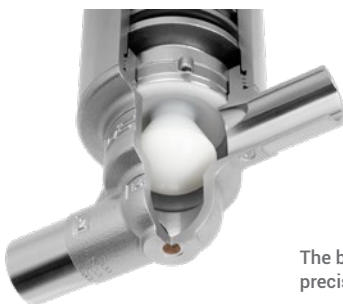


Do you still use high-maintenance piston or peristaltic pumps for filling?
Do you have to contend with pressure fluctuations or control inaccuracies in your process?

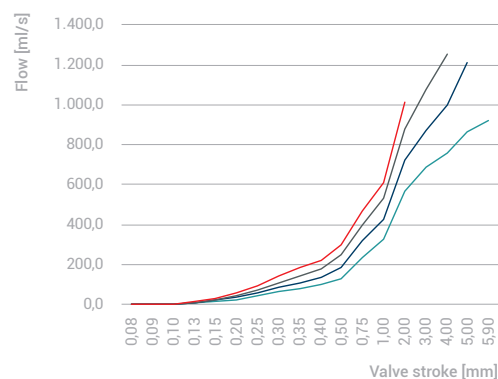
With the GEMÜ F60 servoDrive filling valve and the GEMÜ 567 servoDrive control valve, you can achieve a whole new dimension of accuracy and speed. The two valves are based on a unique sealing concept – the PD design. This has been developed by GEMÜ in order to combine the advantages of diaphragm valves with those of globe valves. The valve's geometry allows for a hermetic separation of the actuator from the media flow and a high level of control accuracy.

The motorized linear actuator with servo technology stands out thanks to its precise positioning, high speed and power. This enables extremely precise dosing and control, even at high operating pressures. Thanks to freely programmable control and filling curves, it can be individually adapted to customer-specific requirements.

**High accuracy –
flow [ml/s] relative to the valve stroke [mm]**



The body and seal geometry ensure precise control and optimal cleanliness



GEMÜ Gebr. Müller Apparatebau GmbH & Co. KG
Fritz-Müller-Straße 6-8 · 74653 Ingelfingen-Criesbach, Germany
Phone +49 (0) 7940 123 0 · info@gemu.de

GEMÜ F60 servoDrive in actuator size 3

www.gemu-group.com