

Butterfly Valve, Metal

Construction

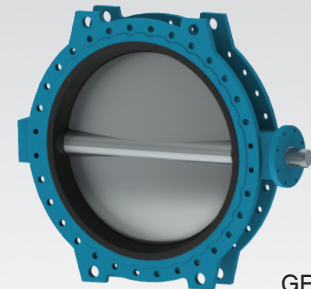
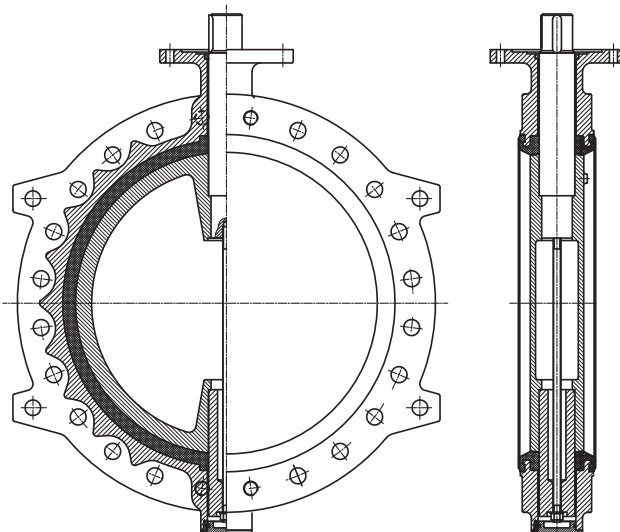
GEMÜ C480 is a soft seated butterfly valve with various versions. It is available in nominal sizes DN 700 – 1600, various body versions (Wafer, Lug and U section) and in a large number of seal and body materials. The butterfly valve can be supplied with various operators: manual with gear-box, pneumatic actuator, motorized on/off or control actuator.

Features

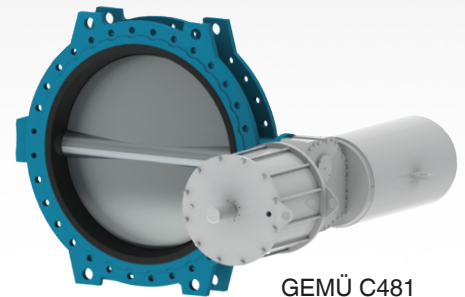
- Suitable for liquid and gaseous media in industrial applications as well as for water treatment
- The top flange is standardized acc. to EN ISO 5211
- Due to the special seal contour of the liner in the flange area no separate gasket is required.
- Self-lubricating shaft bearings made of PTFE coated metal bushes.
- The shaft mounted in bearings provides a stable shaft guide.
- The (spline) shaft inside the disc is completely isolated from the working medium.
- Body material: EN-GJS-400-15 (GGG 40), epoxy coated (250 µm)
- Replaceable liner for isolating the working medium from body and spindle.
- Lenticular shaped disc for good flow capability.
- Reduced leakage and corrosion risk as the spindle is not fixed in the disc by grub screws.
- Concentric disc allows bi-directional shut-off.
- High stability and low weight even for larger diameters.
- The butterfly valve complies with the safety requirements of Annex I of the European Pressure Equipment Directive 2014/68/EU for fluids of group 1 + 2
- Drinking water approval ACS



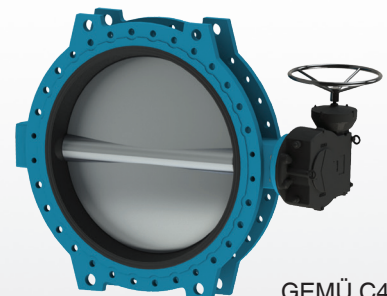
Sectional view



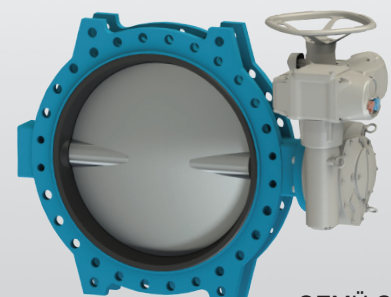
GEMÜ C480



GEMÜ C481



GEMÜ C487



GEMÜ C488

Technical data

Working medium

Gaseous and liquid media which have no negative impact on the physical and chemical properties of the disc and seat material.

Ambient conditions

Max. permissible ambient temperature -10 to 70 °C

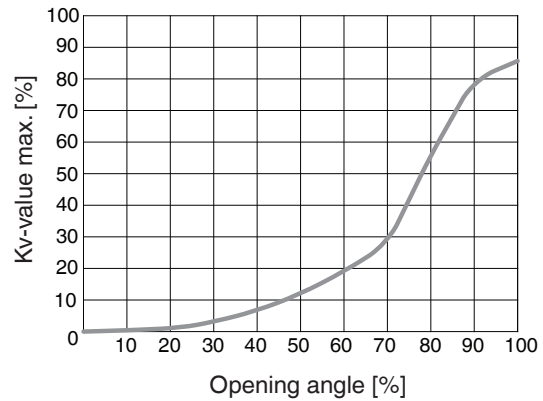
Max. perm. temp. of working medium

Seat material EPDM -10 to 95 °C
Seat material NBR -15 to 80 °C

Other temperatures on request

No water hammer permissible

Flow diagram



Torque

| DN | INCH | [Nm] | | | | | Actuator * | |
|------|------|------|------|-------|-------|-------|------------|-----------------|
| | | DIN | ASME | PS 3 | PS 6 | PS 10 | | PS 16 |
| 700 | 28" | | | 2040 | 2640 | 3000 | 3900 | 5000 |
| 750 | 30" | | | 2220 | 3000 | 3420 | 4440 | 6000 |
| 800 | 32" | | | 2400 | 3240 | 3840 | 4992 | 6500 |
| 900 | 36" | | | 3240 | 4320 | 5520 | 8034 | 8000 |
| 1000 | 40" | | | 4800 | 6240 | 7800 | 14040 | 16000 |
| 1100 | 44" | | | 6120 | 8160 | 10200 | 16848 | 13000 (22000)** |
| 1200 | 48" | | | 8640 | 11400 | 14400 | 19656 | 14000 (25000)** |
| 1300 | 52" | | | 9600 | 12600 | 15840 | 22200 | 15000 (25000)** |
| 1400 | 56" | | | 14400 | 16320 | 20400 | 31200 | 16000 (32000)** |
| 1600 | 64" | | | 23400 | 30000 | 36000 | 46800 | 60000 |

* Maximum permissible torque (actuator)

** (Connection flange F35)

Weight [kg]

| DN | INCH | Weight [kg] | | | | |
|------|------|-------------|------|-----------|-----|-------|
| | | DIN | ASME | U-Section | Lug | Wafer |
| 700 | 28" | | | 350 | 280 | 215 |
| 750 | 30" | | | 405 | 370 | 275 |
| 800 | 32" | | | 466 | 400 | 310 |
| 900 | 36" | | | 670 | 555 | 450 |
| 1000 | 40" | | | 718 | 665 | 530 |
| 1100 | 44" | | | 990 | - | - |
| 1200 | 48" | | | 1163 | - | - |
| 1300 | 52" | | | 1514 | - | - |
| 1400 | 56" | | | 1572 | - | - |
| 1600 | 64" | | | 2325 | - | - |

Kv values [m³/h]

| DN | INCH | Opening angle | | | | | | | | | |
|------|------|---------------|------|------|-------|-------|-------|-------|--------|--------|--------|
| | | DIN | ASME | 20° | 30° | 40° | 50° | 60° | 70° | 80° | 90° |
| 700 | 28" | | | 991 | 2053 | 3358 | 6141 | 9423 | 17690 | 30570 | 33380 |
| 750 | 30" | | | 1173 | 2353 | 3918 | 7151 | 10100 | 20675 | 35645 | 39170 |
| 800 | 32" | | | 1336 | 2713 | 4726 | 8294 | 12903 | 24264 | 40948 | 45100 |
| 900 | 36" | | | 1763 | 3559 | 5897 | 10594 | 16313 | 30405 | 52025 | 57895 |
| 1000 | 40" | | | 2112 | 4220 | 7096 | 12786 | 19960 | 37745 | 64680 | 71530 |
| 1100 | 44" | | | 2629 | 5470 | 9181 | 14746 | 23976 | 44306 | 75273 | 87175 |
| 1200 | 48" | | | 3233 | 6484 | 10897 | 19818 | 30400 | 57316 | 97590 | 107482 |
| 1300 | 52" | | | 4099 | 7613 | 14202 | 25770 | 40016 | 75640 | 129815 | 146240 |
| 1400 | 56" | | | 4418 | 7652 | 14320 | 26076 | 40625 | 77195 | 132915 | 150185 |
| 1600 | 64" | | | 6452 | 11828 | 22042 | 39676 | 61715 | 116660 | 200203 | 225792 |

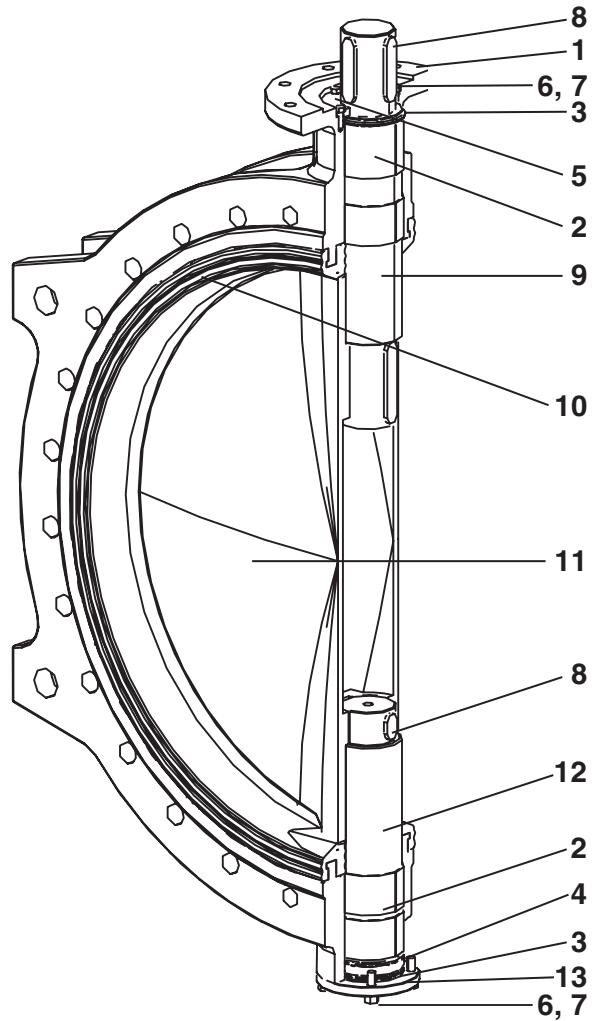
When the opening angle is below 30° no regulation should be made.

*Working medium water (20 °C) and optimal operating conditions.

Availability table

| Connection | Code | Nominal size | | | | | | | | | | |
|-----------------------|------|--------------|-----|-----|-----|------|------|------|------|------|------|--|
| | | 700 | 750 | 800 | 900 | 1000 | 1100 | 1200 | 1300 | 1400 | 1600 | |
| PN 6 | 1 | X | - | X | X | X | - | X | - | X | X | |
| PN 10 | 2 | X | X | X | X | X | X | X | - | X | X | |
| PN 16 | 3 | X | X | X | X | X | X | X | - | X | X | |
| PN 25 | 5 | X | - | X | X | X | X | X | - | - | - | |
| ASME B16.47 A cl. 150 | E | X | X | X | X | X | X | X | X | X | - | |
| AWWA C207 cl. D | W | X | X | X | X | X | X | X | X | - | - | |

Parts list / Materials



| Pos. | Name | Material |
|------|------------|--|
| 1 | Body | EN-GJS-400-15 (GGG 40), Epoxy coated (250 µm) |
| 2 | Bush | Stainless steel 316 + PTFE |
| 3 | O-ring | NBR |
| 4 | Bearing | Cast bronze |
| 5 | Gland | Stainless steel AISI 420 |
| 6 | Bolt | Stainless steel A2-70 |
| 7 | Washer | Stainless steel |
| 8 | Key | Steel |
| 9 | Upper Stem | 1.4028 Stainless steel AISI 420 |
| 10 | Seat | EPDM, NBR |
| 11 | Disc | - 1.4408 Stainless steel CF8M - 1.4469 Super Duplex - EN-GJS-400-15, GGG40, Epoxy coated (250 µm) - EN-GJS-400-15, GGG40, Halar coated (600 µm) - EN-GJS-400-15, GGG40, Rilsan coated (200 µm) |
| 12 | Lower Stem | 1.4028 Stainless steel AISI 420 |
| 13 | Bottom Cap | EN-GJS-400-15 |

Order data

| 1 Type | Code |
|---|------|
| Butterfly valve with bare shaft | C480 |
| Butterfly valve with pneumatic actuator | C481 |
| Butterfly valve with manual operator | C487 |

| 2 Nominal size | Code |
|----------------|------|
| DN 700 | 700 |
| DN 750 | 750 |
| DN 800 | 800 |
| DN 900 | 900 |
| DN 1000 | 1T0 |
| DN 1100 | 1T1 |
| DN 1200 | 1T2 |
| DN 1300 | 1T3 |
| DN 1400 | 1T4 |
| DN 1600 | 1T6 |

| 3 Body configuration | Code |
|----------------------|------|
| Wafer | W |
| Lug | L |
| U section | U |

| 4 Operating pressure | Code |
|--|------|
| PS 3 bar | 0 |
| PS 6 bar | 1 |
| PS 10 bar | 2 |
| PS 16 bar | 3 |
| Reduced operating pressures on request | |

| 5 Connection | Code |
|-------------------------|------|
| EN 1092, PN 6 | 1 |
| EN 1092, PN 10 | 2 |
| EN 1092, PN 16 | 3 |
| EN 1092, PN 25 | 5 |
| ASME B16.47 A CLASS 150 | E |
| AWWA C207 | W |

| 6 Body material | Code |
|---|------|
| EN-GJS-400-15 (GGG 40), Epoxy coated (250 µm) | 2 |

| 7 Disc material | Code |
|--|------|
| 1.4408 Investment casting | A |
| 1.4469 Duplex | D |
| EN-GJS-400-15 (GGG 40), Resicoat R4-ES coated 250µm, Epoxy | E |
| EN-GJS-400-15 (GGG 40), Halar coated (600µm) | P |
| EN-GJS-400-15, GGG40, Rilsan coated (200 µm) | R |

| 8 Shaft material | Code |
|-------------------|------|
| AISI 420 / 1.4021 | 1 |

| 9 Seat (liner) material | Code |
|-------------------------|------|
| EPDM (ACS) | A |
| EPDM | E |
| NBR | N |
| EPDM (WRAS) | W |

| 10 Liner fixing | Code |
|------------------------|------|
| Loose liner (standard) | L |

| 11 Control function | Code |
|--|------|
| Butterfly valve with bare shaft Type C480 | F |
| Butterfly valve with manual operator Type C487 | 0 |
| Normally closed (NC), Type C481 | 1 |
| Normally open (NO), Type C481 | 2 |
| Double acting (DA), Type C481 | 3 |

| 12 Operator size | Code |
|------------------|-------------------|
| C480 | see page 8 |
| C481 | see pages 13 - 16 |
| C487 | see page 17 |

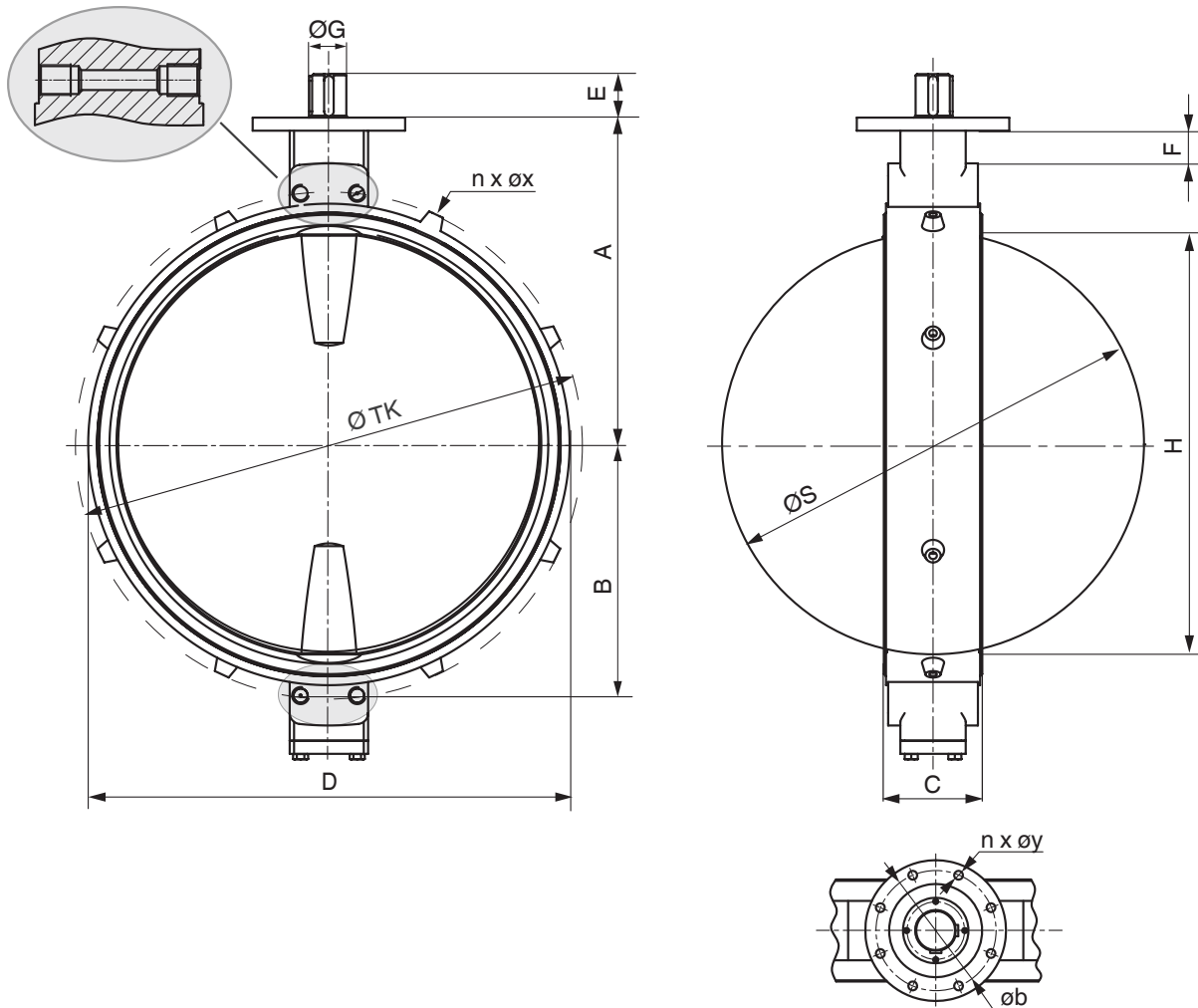
| Order example | 1 | 2 | 3 | 4 | 5 | 6 | 7 | 8 | 9 | 10 | 11 | 12 |
|---------------|------|-----|---|---|---|---|---|---|---|----|----|----------|
| Code | C480 | 700 | U | 2 | 2 | 2 | A | 1 | E | L | F | F25 V 70 |

Other versions and materials on request

Body dimensions [mm]

Body configuration - Wafer (Code W)

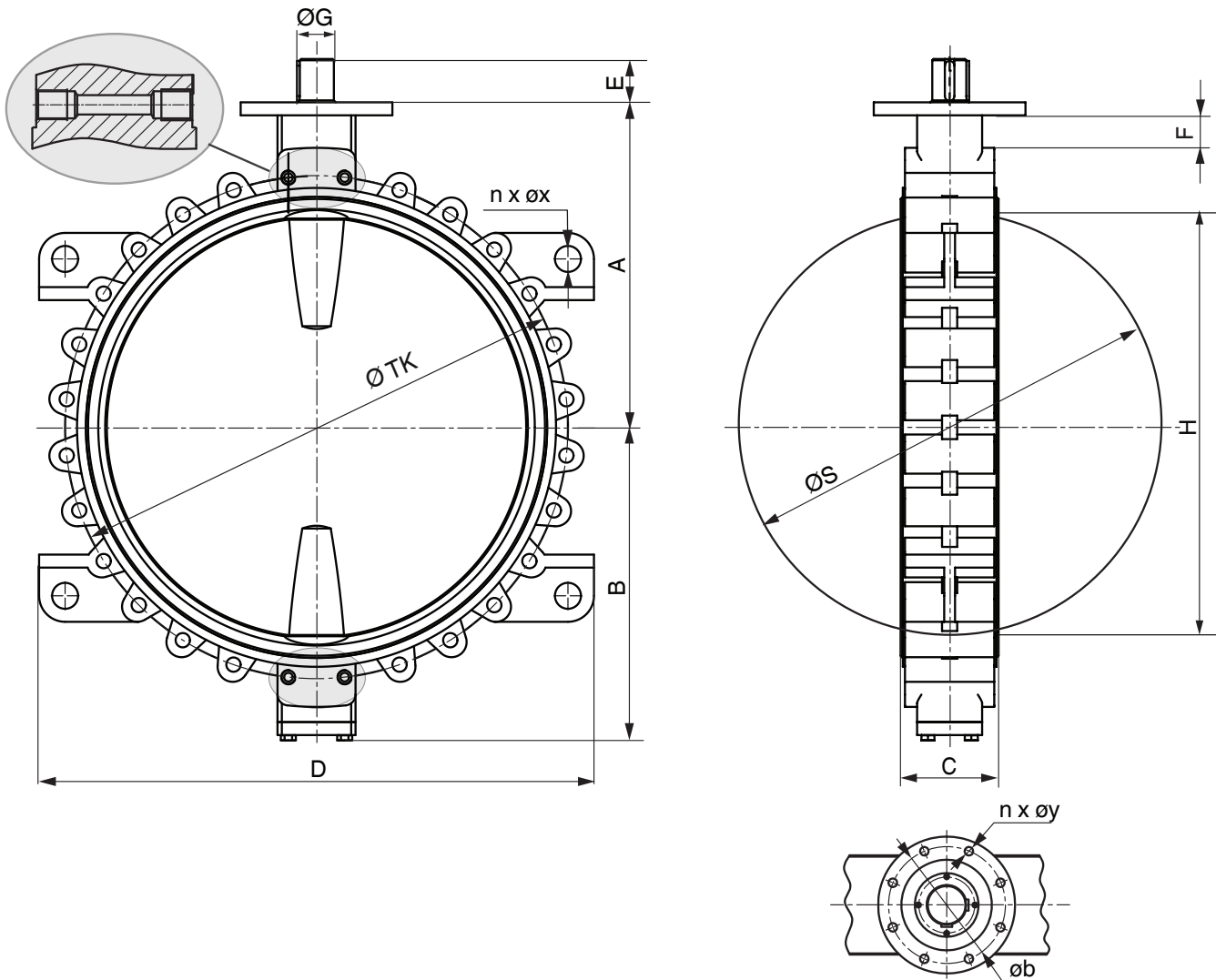
| DN | INCH | A | B | C | D | E | F | ØG | H | ØS | ØTK | Connection flange acc. to ISO 5211 | Øb | n x øx | n x øy |
|------|------|-----|-----|-----|------|-----|----|----|-----|-----|-------------------------|------------------------------------|-----|---------|--------|
| 700 | 28" | 570 | 518 | 165 | 780 | 80 | 70 | 70 | 676 | 680 | see mounting dimensions | F25 | 254 | 4 x M20 | 8 x 18 |
| 800 | 32" | 640 | 567 | 190 | 890 | 80 | 80 | 70 | 750 | 775 | | F25 | 254 | 4 x M20 | 8 x 18 |
| 900 | 36" | 700 | 650 | 203 | 1000 | 100 | 85 | 80 | 855 | 880 | | F25 | 254 | 8 x M20 | 8 x 18 |
| 1000 | 40" | 750 | 715 | 216 | 1105 | 100 | 75 | 80 | 950 | 975 | | F30 | 298 | 8 x M20 | 8 x 22 |



Body dimensions [mm]

Body configuration - Lug (Code L)

| DN | INCH | A | B | C | D | E | F | ØG | H | ØS | ØTK | Connection flange acc. to ISO 5211 | Øb | n x øy | n x øx |
|------|------|-----|-----|-----|------|-----|----|----|-----|-----|-------------------------|------------------------------------|-----|--------|--------|
| 700 | 28" | 570 | 518 | 165 | 940 | 80 | 70 | 70 | 676 | 680 | see mounting dimensions | F25 | 254 | 8 x 18 | 4 x 30 |
| 800 | 32" | 640 | 567 | 190 | 1040 | 80 | 80 | 70 | 750 | 775 | | F25 | 254 | 8 x 18 | 4 x 50 |
| 900 | 36" | 700 | 650 | 203 | 1180 | 100 | 85 | 80 | 855 | 880 | | F25 | 254 | 8 x 18 | 4 x 60 |
| 1000 | 40" | 750 | 715 | 216 | 1280 | 100 | 75 | 80 | 950 | 975 | | F30 | 298 | 8 x 22 | 4 x 60 |

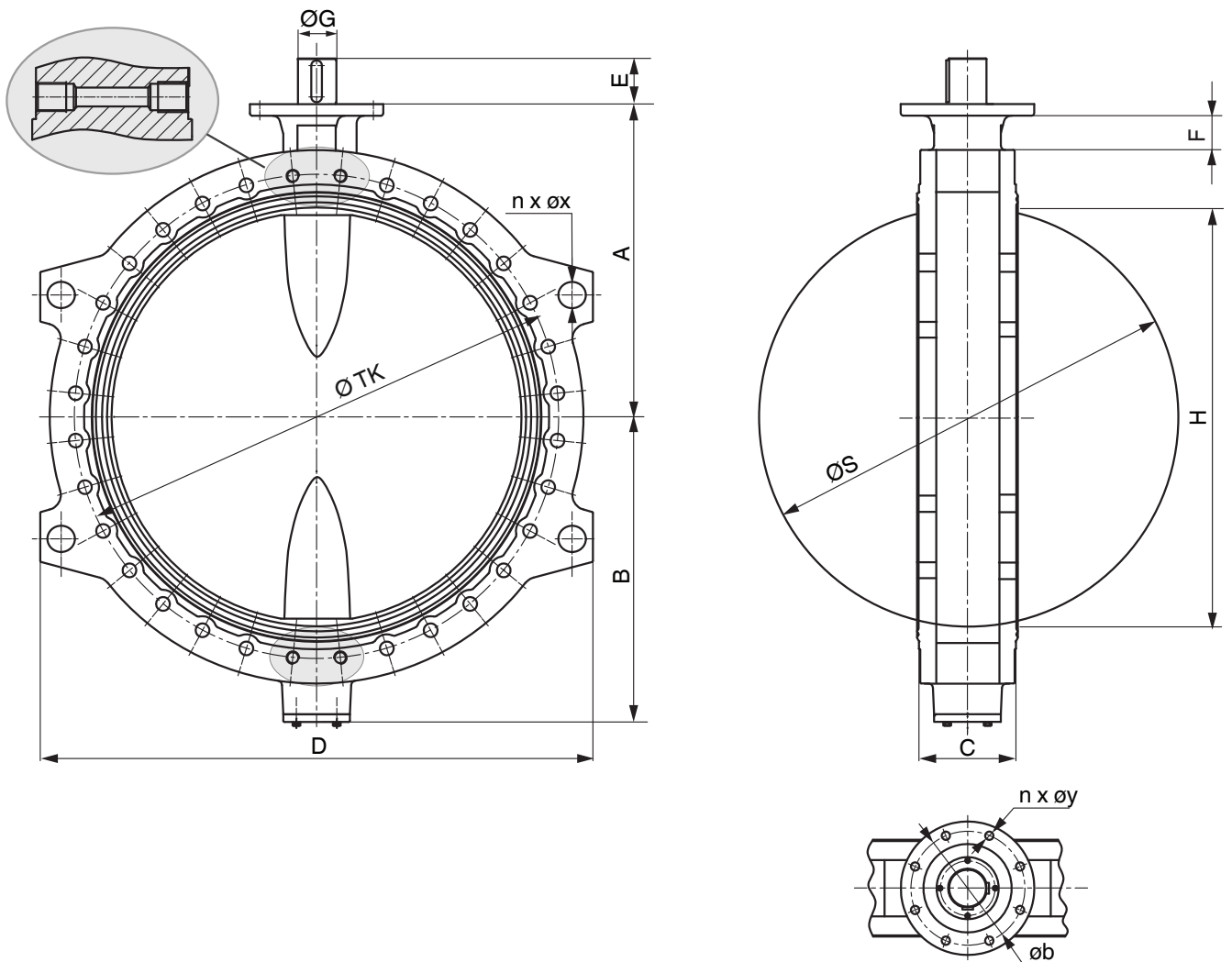


Body dimensions [mm]

Body configuration - U section (Code U)

| DN | INCH | A | B | C | D | E | F | ØG | H | ØS | ØTK | Connection flange acc. to ISO 5211 | Øb | n x øy |
|------|------|------|------|-----|------|-----|-----|-----|------|------|-----|------------------------------------|------------|------------------|
| 700 | 28" | 570 | 518 | 165 | 960 | 80 | 70 | 70 | 676 | 680 | | F25 | 254 | 8 x 18 |
| 800 | 32" | 640 | 567 | 190 | 1084 | 80 | 80 | 70 | 750 | 775 | | F25 | 254 | 8 x 18 |
| 900 | 36" | 700 | 650 | 203 | 1194 | 100 | 85 | 80 | 855 | 880 | | F25 | 254 | 8 x 18 |
| 1000 | 40" | 750 | 715 | 216 | 1320 | 100 | 75 | 80 | 950 | 975 | | F30 | 298 | 8 x 22 |
| 1100 | 44" | 821 | 812 | 254 | 1450 | 120 | 90 | 80 | 1045 | 1078 | | F30 (F35*) | 298 (356*) | 8 x 22 (8 x 32*) |
| 1200 | 48" | 870 | 861 | 254 | 1520 | 120 | 96 | 100 | 1145 | 1175 | | F30 (F35*) | 298 (356*) | 8 x 22 (8 x 32*) |
| 1300 | 52" | 960 | 935 | 276 | 1690 | 120 | 115 | 100 | 1246 | 1278 | | F30 (F35*) | 298 (356*) | 8 x 22 (8 x 32*) |
| 1400 | 56" | 1014 | 1009 | 279 | 1730 | 140 | 140 | 120 | 1355 | 1385 | | F30 (F35*) | 298 (356*) | 8 x 22 (8 x 32*) |
| 1600 | 64" | 1170 | 1148 | 318 | 1964 | 180 | 183 | 130 | 1535 | 1570 | | F40 | 406 | 8 x 38 |

* (optional)



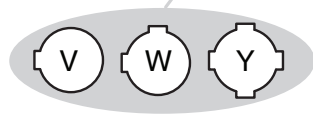
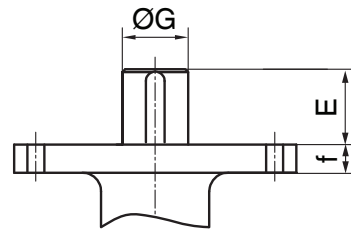
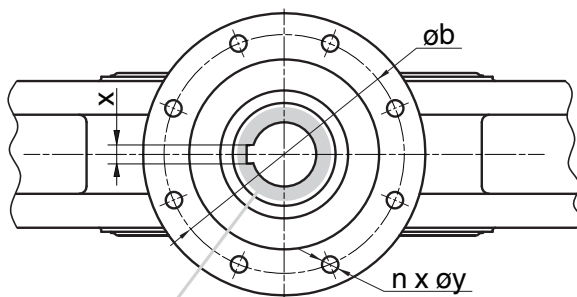
Connection dimensions - GEMÜ C480 butterfly valve with bare shaft [mm]

Operator flange

| DN | INCH | Connection flange acc. to ISO 5211 | $\varnothing b$ | $\varnothing f$ | Shaft connection | $\varnothing G$ | E | No. of bolt holes n | $\varnothing y$ | x | Code |
|------|------|------------------------------------|--------------------------|-----------------|------------------|-----------------|-----|---------------------|-----------------|----|--------------------------------|
| 700 | 28" | F25 | 254 | 30 | V | 70 | 80 | 8 | 18 | 20 | F25 V 70 |
| 750 | 30" | F25 | 254 | 30 | V | 70 | 80 | 8 | 18 | 20 | F25 V 70 |
| 800 | 32" | F25 | 254 | 30 | V | 70 | 80 | 8 | 18 | 20 | F25 V 70 |
| 900 | 36" | F25 | 254 | 30 | W | 80 | 100 | 8 | 18 | 22 | F25 W 80 |
| 1000 | 40" | F30 | 298 | 30 | W | 80 | 100 | 8 | 22 | 22 | F30 W 80 (F35 ²⁾) |
| 1100 | 44" | F30 (F35 ²⁾) | 298 (356 ²⁾) | 30 | W | 100 | 100 | 8 | 22 | 28 | F30 W 100 (F35 ²⁾) |
| 1200 | 48" | F30 (F35 ²⁾) | 298 (356 ²⁾) | 30 | W | 100 | 100 | 8 | 22 | 28 | F30 W 100 (F35 ²⁾) |
| 1300 | 52" | F30 (F35 ²⁾) | 298 (356 ²⁾) | 32 | Y | 100 | 100 | 8 | 22 | 28 | F30 Y 100 (F35 ²⁾) |
| 1400 | 56" | F30 (F35 ²⁾) | 298 (356 ²⁾) | 33 | Y | 120 | 120 | 8 | 22 | 32 | F30 Y 120 (F35 ²⁾) |
| 1600 | 64" | F40 | 406 | 60 | W | 130 | 130 | 8 | 38 | 32 | F40 W 130 |

¹⁾ V with one single keyway, W with two single keyways, Y with four single keyways

²⁾ (optional)



Position of single keyways in a closed butterfly valve

Mounting dimensions [mm]

Body configuration - Lug (Code L)

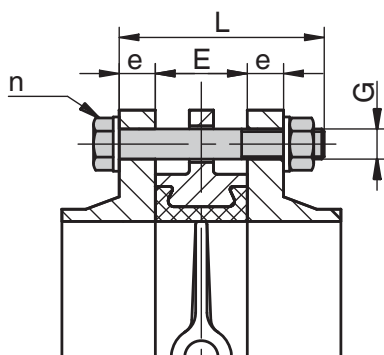
| Flanges | | | | PN6, EN1092-1 (Code 1) | | | | | | | PN10, EN1092-1 (Code 2) | | | | | | PN16, EN1092-1 (Code 3) | | | | | |
|---------|------|-----|---------|------------------------|----|-----|----|----|----|------|-------------------------|-----|----|----|----|------|-------------------------|-----|-----|----|----|--|
| DN | INCH | E | Version | ØTK | n | G | L | L1 | e | ØTK | n | G | L | L1 | e | ØTK | n | G | L | L1 | e | |
| 700 | 28" | 165 | B | 810 | 48 | M24 | 65 | - | 24 | 840 | 48 | M27 | 70 | - | 30 | 840 | 48 | M33 | 90 | - | 36 | |
| 800 | 32" | 190 | B | 920 | 48 | M27 | 70 | - | 24 | 950 | 48 | M30 | 80 | - | 32 | 950 | 48 | M36 | 100 | - | 38 | |
| 900 | 36" | 203 | B | 1020 | 48 | M27 | 70 | - | 26 | 1050 | 56 | M30 | 80 | - | 34 | 1050 | 56 | M36 | 100 | - | 40 | |
| 1000 | 40" | 216 | B | 1120 | 56 | M27 | 70 | - | 26 | 1160 | 56 | M30 | 80 | - | 34 | 1170 | 56 | M39 | 110 | - | 42 | |

| Flanges | | | | PN25, EN1092-1 (Code 5) | | | | | | | ASME B16.47 A CLASS 150 (Code E) | | | | | | AWWA C207 CL. D | | | | | |
|---------|------|-----|---------|-------------------------|------|------|------|----|------|--------|----------------------------------|-------|-----|----|------|--------|-----------------|-------|----|----|------|--|
| DN | INCH | E | Version | ØTK | n | G | L | L1 | e | ØTK | n | G | L | L1 | e | ØTK | n | G | L | L1 | e | |
| 700 | 28" | 165 | B | 875 | 48 | M39 | 110 | - | 46 | 863.3 | 48 | 1.25" | 115 | - | 71.9 | 863.6 | 48 | 1.25" | 80 | - | 33.3 | |
| 750 | 30" | 190 | B | n.a. | n.a. | n.a. | n.a. | - | n.a. | 914.4 | 48 | 1.25" | 120 | - | 75.1 | 914.4 | 48 | 1.25" | 80 | - | 34.9 | |
| 800 | 32" | 190 | B | 990 | 48 | M45 | 120 | - | 50 | 977.9 | 56 | 1.5" | 135 | - | 81.4 | 977.9 | 56 | 1.5" | 90 | - | 38.1 | |
| 900 | 36" | 203 | B | 1090 | 56 | M45 | 120 | - | 54 | 1085.9 | 64 | 1.5" | 145 | - | 90.9 | 1085.9 | 64 | 1.5" | 95 | - | 41.3 | |
| 1000 | 40" | 216 | B | 1210 | 56 | M52 | 140 | - | 58 | 1200.2 | 72 | 1.5" | 145 | - | 90.9 | 1200.2 | 72 | 1.5" | 95 | - | 41.3 | |

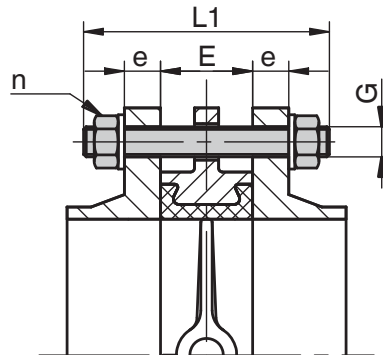
Body configuration - Wafer (Code W)

| Flanges | | | | PN6, EN1092-1 (Code 1) | | | | | | | PN10, EN1092-1 (Code 2) | | | | | | PN16, EN1092-1 (Code 3) | | | | | |
|---------|------|-----|---------|------------------------|----|-----|-----|----|----|------|-------------------------|-----|-----|----|----|------|-------------------------|-----|-----|----|----|--|
| DN | INCH | E | Version | ØTK | n | G | L | L1 | e | ØTK | n | G | L | L1 | e | ØTK | n | G | L | L1 | e | |
| 700 | 28" | 165 | A | 810 | 20 | M24 | 260 | - | 24 | 840 | 20 | M27 | 330 | - | 30 | 840 | 20 | M33 | 320 | - | 36 | |
| | | | B | | 8 | M24 | 65 | - | | | 8 | M27 | - | - | | | 8 | M33 | - | | | |
| 800 | 32" | 190 | A | 920 | 20 | M27 | 320 | - | 24 | 950 | 20 | M30 | 350 | - | 32 | 950 | 20 | M36 | 360 | - | 38 | |
| | | | B | | 8 | M27 | - | - | | | 8 | M30 | - | - | | | 8 | M36 | - | | | |
| 900 | 36" | 203 | A | 1020 | 20 | M27 | 350 | - | 26 | 1050 | 24 | M30 | 380 | - | 34 | 1050 | 24 | M36 | 380 | - | 40 | |
| | | | B | | 8 | M27 | - | - | | | 8 | M30 | - | - | | | 8 | M36 | - | | | |
| 1000 | 40" | 216 | A | 1120 | 24 | M27 | 350 | - | 26 | 1160 | 24 | M33 | 380 | - | 34 | | 24 | M39 | 380 | - | | |
| | | | B | | 4 | M27 | - | - | | | 8 | M33 | - | - | | | 8 | M39 | - | | | |

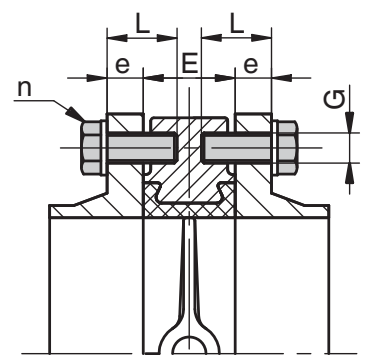
| Flanges | | | | PN25, EN1092-1 (Code 5) | | | | | | | ASME B16.47 A CLASS 150 (Code E) | | | | | | AWWA C207 CL. D | | | | | |
|---------|------|-----|---------|-------------------------|------|-------|------|------|------|--------|----------------------------------|-------|-----|-----|------|-------|-----------------|-------|-----|-----|------|--|
| DN | INCH | E | Version | ØTK | n | G | L | L1 | e | ØTK | n | G | L | L1 | e | ØTK | n | G | L | L1 | e | |
| 700 | 28" | 165 | A | 875 | 20 | M39 | 320 | 380 | 46 | 863.3 | 20 | 1.25" | - | 490 | 71.9 | 863.6 | 20 | 1.25" | 290 | 410 | 33.3 | |
| | | | B | | 8 | M39 | 110 | - | | | 8 | 1.25" | 115 | - | | | 8 | 1.25" | 80 | - | | |
| 750 | 30" | 190 | A | n.a. | n.a. | n.a. | n.a. | n.a. | n.a. | 914.4 | 20 | 1.25" | - | 490 | 75.1 | 914.4 | 24 | 1.25" | 290 | 410 | 34.9 | |
| | | | B | | 8 | 1.25" | 120 | - | | | 8 | 1.25" | 80 | - | | | | | | | | |
| 800 | 32" | 190 | A | 990 | 20 | M45 | 360 | 420 | 50 | 977.9 | 24 | 1.5" | - | 530 | 81.4 | 977.9 | 24 | 1.5" | 330 | 450 | 38.1 | |
| | | | B | | 8 | M45 | 120 | - | | | 8 | 1.5" | 135 | - | | | 8 | 1.5" | 90 | - | | |
| 900 | 36" | 203 | A | 1090 | 20 | M45 | - | 450 | 54 | 1085.9 | 28 | 1.5" | - | 560 | 90.9 | 1086 | 28 | 1.5" | 340 | 450 | 41.3 | |
| | | | B | | 8 | M45 | 120 | - | | | 8 | 1.5" | 145 | - | | | 8 | 1.5" | 95 | - | | |
| 1000 | 40" | 216 | A | 1210 | 24 | M52 | - | 480 | 58 | 1121 | | | | | 56.1 | 1200 | 32 | 1.5" | 360 | 480 | 41.3 | |
| | | | B | | 8 | M52 | 140 | - | | | 8 | 1.5" | 95 | - | | | 8 | 1.5" | 95 | - | | |



Version A



Version A (alternativ)



Version B

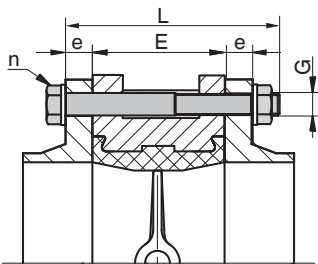
n = number of screws

Mounting dimensions [mm]

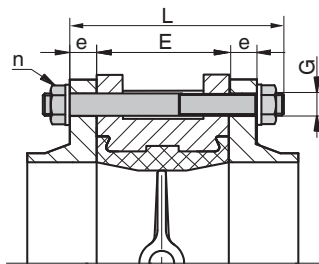
Body configuration U section (Code U)

| Flanges | | | Screw Version | PN6, EN1092-1 (Code 1) | | | | | PN10, EN1092-1 (Code 2) | | | | | PN16, EN1092-1 (Code 3) | | | | | | | |
|---------|------|------|---------------|------------------------|------|------|------|------|-------------------------|------|------|------|------|-------------------------|------|------|------|------|------|------|------|
| DN | INCH | E | | ØTK | n | G | L | L1 | e | ØTK | n | G | L | L1 | e | ØTK | n | G | L | L1 | e |
| 700 | 28" | 165 | A | 810 | 20 | M24 | 260 | 300 | 24 | 840 | 20 | M27 | 280 | 330 | 30 | 840 | 20 | M33 | 290 | 320 | 36 |
| | | | B | | 8 | M24 | 65 | 8 | | | M27 | 70 | 8 | M33 | | | 90 | | | | |
| 800 | 32" | 190 | A | 920 | 20 | M27 | 300 | 320 | 24 | 950 | 20 | M30 | 300 | 350 | 32 | 950 | 20 | M36 | 320 | 360 | 38 |
| | | | B | | 8 | M27 | 70 | 8 | | | M30 | 80 | 8 | M36 | | | 100 | | | | |
| 900 | 36" | 203 | A | 1020 | 20 | M27 | 320 | 350 | 26 | 1050 | 24 | M30 | 340 | 380 | 34 | 1050 | 24 | M36 | 340 | 380 | 40 |
| | | | B | | 8 | M27 | 70 | 8 | | | M30 | 80 | 8 | M36 | | | 100 | | | | |
| 1000 | 40" | 216 | A | 1120 | 24 | M27 | 320 | 350 | 26 | 1160 | 24 | M33 | 340 | 380 | 34 | 1170 | 24 | M39 | 360 | 380 | 42 |
| | | | B | | 8 | M27 | 70 | 8 | | | M33 | 80 | 8 | M39 | | | 100 | | | | |
| 1100 | 44" | 254* | A | n.a. | n.a. | n.a. | n.a. | n.a. | n.a. | 1270 | 28 | M33 | - | 420 | 38 | 1270 | 28 | M39 | - | 450 | 48 |
| | | | B | | 8 | M33 | 90 | 8 | | | M39 | 110 | | | | | | | | | |
| 1200 | 48" | 254 | A | 1340 | 28 | M30 | - | 450 | 28 | 1380 | 28 | M36 | - | 450 | 38 | 1390 | 28 | M45 | - | 450 | 48 |
| | | | B | | 8 | M30 | 80 | 8 | | | M36 | 100 | 8 | M45 | | | 120 | | | | |
| 1350 | 54" | | A | n.a. | n.a. | n.a. | n.a. | n.a. | n.a. | n.a. | n.a. | n.a. | n.a. | n.a. | n.a. | n.a. | n.a. | n.a. | n.a. | n.a. | n.a. |
| | | | B | | n.a. | n.a. | n.a. | n.a. | | | n.a. | n.a. | n.a. | n.a. | | | n.a. | n.a. | n.a. | | |
| 1400 | 56" | 279 | A | 1560 | 32 | M33 | - | 450 | 32 | 1590 | 32 | M39 | - | 450 | 42 | 1590 | 32 | M45 | - | 500 | 52 |
| | | | B | | 8 | M33 | 90 | 8 | | | M39 | 100 | 8 | M45 | | | 120 | | | | |
| 1500 | 60" | | A | n.a. | n.a. | n.a. | n.a. | n.a. | n.a. | n.a. | n.a. | n.a. | n.a. | n.a. | n.a. | n.a. | n.a. | n.a. | n.a. | n.a. | n.a. |
| | | | B | | n.a. | n.a. | n.a. | n.a. | | | n.a. | n.a. | n.a. | n.a. | | | n.a. | n.a. | n.a. | | |
| 1600 | 64" | 318 | A | 1760 | 36 | M33 | - | 500 | 34 | 1820 | 36 | M45 | - | 550 | 46 | 1820 | 36 | M52 | - | 500 | 58 |
| | | | B | | 8 | M33 | 90 | 8 | | | M45 | 120 | 8 | M52 | | | 120 | | | | |

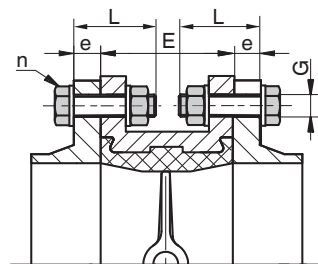
| Flanges | | | Screw Version | PN25, EN1092-1 (Code 5) | | | | | CL150 ASME B16.47 A (Code E) | | | | | AWWA C207 cl. D (Code W) | | | | | | | |
|---------|------|------|---------------|-------------------------|------|-------|------|------|------------------------------|--------|-------|-------|---|--------------------------|-------|--------|------|-------|------|------|------|
| DN | INCH | E | | ØTK | n | G | L | L1 | e | ØTK | n | G | L | L1 | e | ØTK | n | G | L | L1 | e |
| 700 | 28" | 165 | A | 875 | 20 | M39 | 320 | 380 | 46 | 863.6 | 20 | 1.25" | - | 490 | 71.9 | 863.6 | 20 | 1.25" | 290 | 410 | 33.3 |
| | | | B | | 8 | M39 | 110 | 8 | | | 1.25" | 115 | 8 | 1.25" | | | 80 | | | | |
| 800 | 32" | 190 | A | 990 | 20 | M45 | 360 | 420 | 50 | 977.9 | 24 | 1.5" | - | 530 | 81.4 | 977.9 | 24 | 1.5" | 330 | 450 | 38.1 |
| | | | B | | 8 | M45 | 120 | 8 | | | 1.5" | 135 | 8 | 1.5" | | | 90 | | | | |
| 900 | 36" | 203 | A | 1090 | 20 | M45 | - | 450 | 54 | 1085.9 | 28 | 1.5" | - | 560 | 90.9 | 1085.9 | 28 | 1.5" | 340 | 460 | 41.3 |
| | | | B | | 8 | M45 | 120 | 8 | | | 1.5" | 145 | 8 | 1.5" | | | 95 | | | | |
| 1000 | 40" | 216 | A | 1210 | 24 | M52 | - | 480 | 58 | 1200.2 | 32 | 1.5" | - | 580 | 90.9 | 1200.2 | 32 | 1.5" | 360 | 480 | 41.3 |
| | | | B | | 8 | M52 | 140 | 8 | | | 1.5" | 145 | 8 | 1.5" | | | 95 | | | | |
| 1050 | 42" | | A | n.a. | n.a. | n.a. | n.a. | n.a. | n.a. | 1257.3 | 32 | 1.5" | - | - | 97.3 | 1257.3 | 32 | 1.5" | - | - | 44.5 |
| | | | B | | 8 | 1.5" | - | - | | | 8 | 1.5" | - | | | | | | | | |
| 1100 | 44" | 254* | A | 1310 | 28 | M52 | - | 500 | 65 | 1314.4 | 36 | 1.5" | - | 620 | 102.1 | 1314.4 | 36 | 1.5" | - | 510 | 44.5 |
| | | | B | | 8 | M52 | 140 | 8 | | | 1.5" | 155 | 8 | 1.5" | | | 100 | | | | |
| 1200 | 48" | 254 | A | 1420 | 28 | M52 | - | 550 | 70 | 1422.4 | 40 | 1.5" | - | 650 | 108.4 | 1422.4 | 40 | 1.5" | - | 530 | 47.6 |
| | | | B | | 8 | M52 | 150 | 8 | | | 1.5" | 160 | 8 | 1.5" | | | 100 | | | | |
| 1300 | 52" | 276 | A | n.a. | n.a. | n.a. | n.a. | n.a. | n.a. | 1536.7 | 40 | 1.75" | - | 720 | 116.3 | 1536.7 | 40 | 1.75" | - | 590 | 50.8 |
| | | | B | | 8 | 1.75" | 175 | 8 | | | 1.75" | 115 | | | | | | | | | |
| 1350 | 54" | | A | n.a. | n.a. | n.a. | n.a. | n.a. | n.a. | 1593.9 | 40 | 1.75" | - | - | 121.1 | 1593.9 | 40 | 1.75" | - | - | 54 |
| | | | B | | 8 | 1.75" | - | - | | | 8 | 1.75" | - | | | | | | | | |
| 1400 | 56" | 279 | A | n.a. | n.a. | n.a. | n.a. | n.a. | n.a. | n.a. | 40 | 1.75" | - | 735 | 124.3 | n.a. | n.a. | n.a. | n.a. | n.a. | n.a. |
| | | | B | | 8 | 1.75" | 185 | 8 | | | 1.75" | - | | | | | | | | | |
| 1500 | 60" | | A | n.a. | n.a. | n.a. | n.a. | n.a. | n.a. | 1759 | 40 | 1.75" | - | - | 134.2 | 1759.0 | 40 | 1.75" | - | - | 57.2 |
| | | | B | | 8 | 1.75" | - | - | | | 8 | 1.75" | - | | | | | | | | |



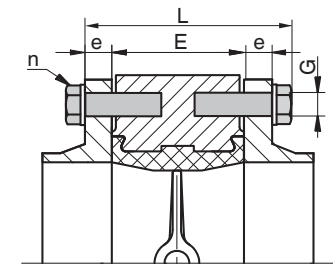
Version A



Version A (alternativ)



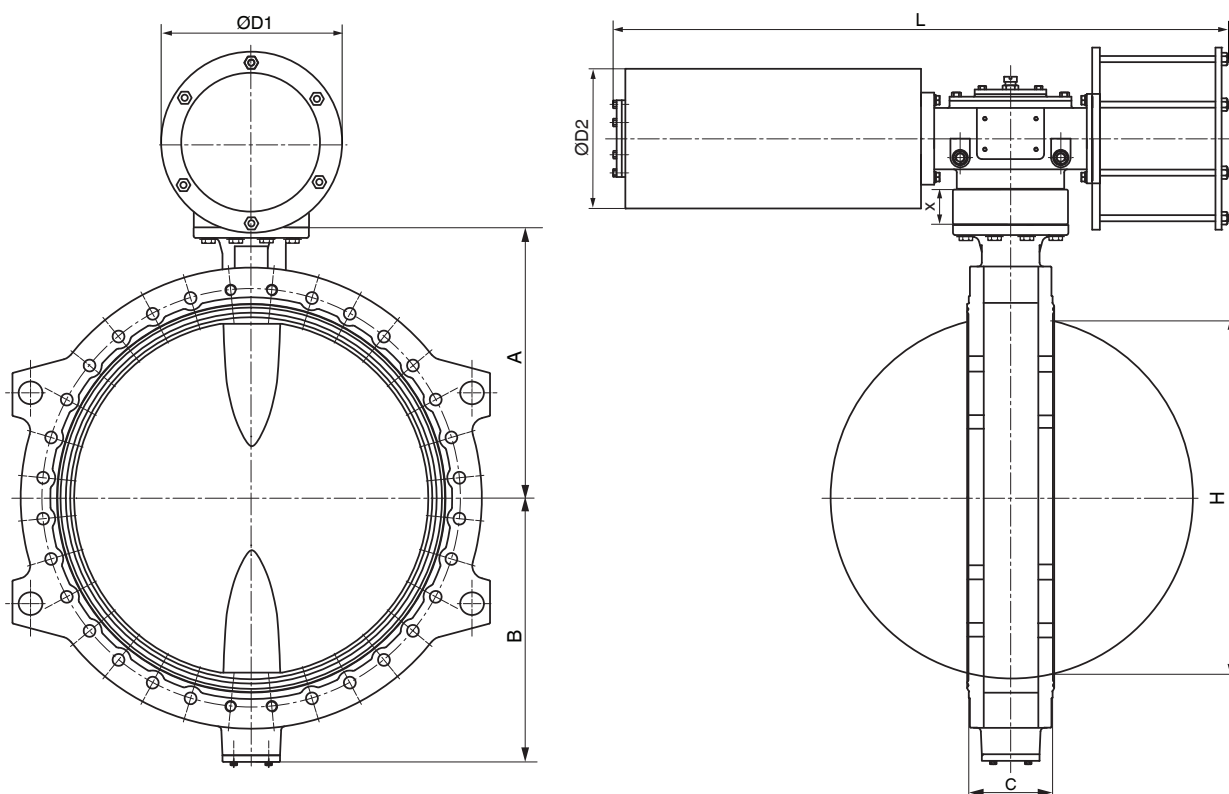
Version A (alternativ)



Version B

n = number of screws

Order data - GEMÜ C481
Butterfly valve with single acting pneumatic actuator [mm]

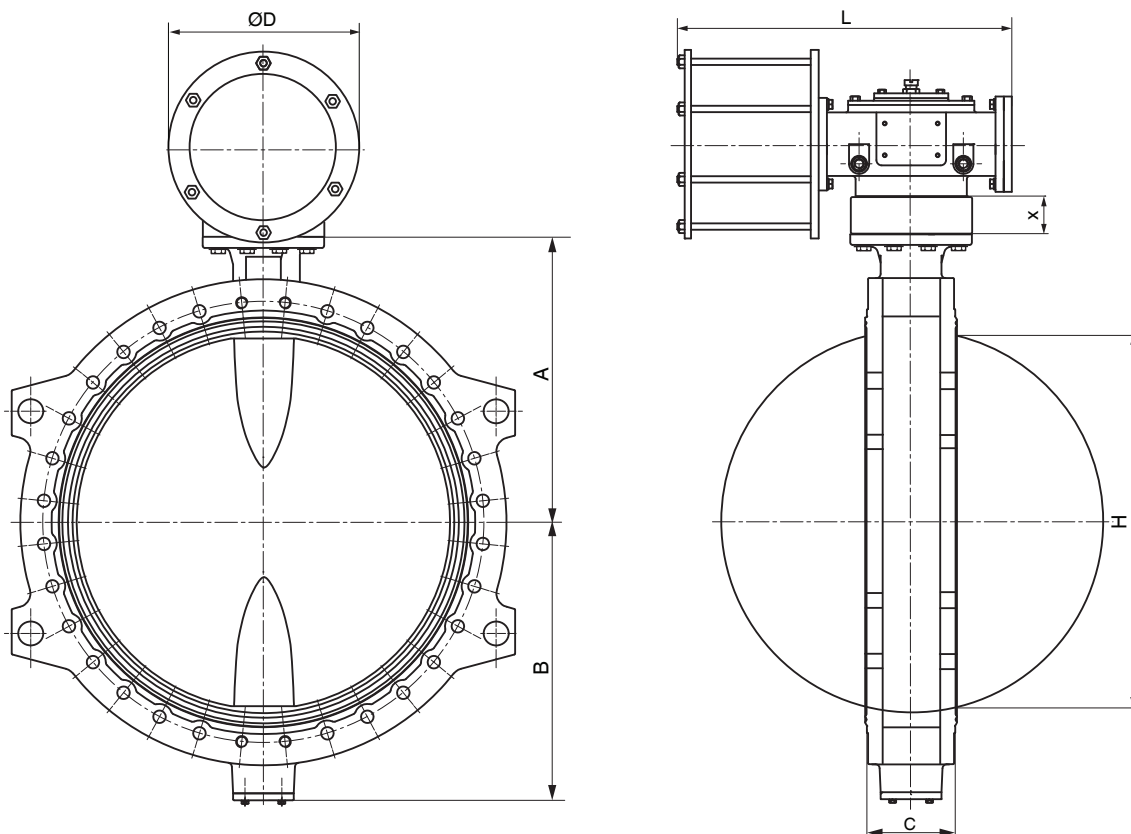


Spring Return (SR) version

| DN | Designation | A | B | C | H | L | ØD1 | ØD2 |
|------|-----------------|------|------|-----|------|------|-----|-----|
| 700 | SY01F25-400 SR6 | 570 | 510 | 165 | 676 | 1517 | 465 | 377 |
| 750 | SY01F25-400 SR6 | 610 | 540 | 165 | 710 | 1517 | 516 | 377 |
| 800 | SY01F25-450 SR6 | 640 | 560 | 190 | 750 | 1517 | 516 | 426 |
| 900 | SY01F30-550 SR6 | 700 | 665 | 203 | 855 | 1915 | 620 | 508 |
| 1000 | SY01F35-700 SR6 | 750 | 715 | 216 | 950 | 2402 | 772 | 630 |
| 1100 | SY01F35-700 SR6 | 820 | 805 | 254 | 1045 | 2402 | 772 | 630 |
| 1200 | SY01F35-700 SR6 | 870 | 855 | 254 | 1145 | 2402 | 772 | 630 |
| 1300 | SY01F35-700 SR6 | 960 | 935 | 254 | 1246 | 2402 | 772 | 630 |
| 1400 | SY01F40-800 SR6 | 1015 | 1000 | 254 | 1355 | 2780 | 878 | 530 |
| 1600 | SY01F48-900 SR6 | 1170 | 1135 | 254 | 1535 | 3485 | 980 | 730 |

Technical data for liquids +20 °C and control pressure 6 bar

Order data - GEMÜ C481
Butterfly valve with double acting pneumatic actuator [mm]



Double Acting (DA) version

| DN | Designation | A | B | C | H | L | ØD |
|------|----------------|------|------|-----|------|------|-----|
| 700 | SY01F16-250 DA | 570 | 510 | 165 | 676 | 689 | 310 |
| 750 | SY01F25-350 DA | 610 | 540 | 165 | 710 | 804 | 415 |
| 800 | SY01F25-350 DA | 640 | 560 | 190 | 750 | 804 | 415 |
| 900 | SY01F25-350 DA | 700 | 665 | 203 | 855 | 804 | 415 |
| 1000 | SY01F30-450 DA | 750 | 715 | 216 | 950 | 992 | 516 |
| 1100 | SY01F30-450 DA | 820 | 805 | 254 | 1045 | 992 | 516 |
| 1200 | SY01F30-450 DA | 870 | 855 | 254 | 1145 | 992 | 516 |
| 1300 | SY01F35-550 DA | 960 | 935 | 254 | 1246 | 1158 | 620 |
| 1400 | SY01F35-550 DA | 1015 | 1000 | 254 | 1355 | 1158 | 620 |
| 1600 | SY01F40-600 DA | 1170 | 1135 | 254 | 1535 | 1358 | 670 |

Technical data for liquids +20 °C and control pressure 6 bar

**12 Order data / Operator dimensions - GEMÜ C481
Butterfly valve with pneumatic actuator [mm]**

Technical data for liquids +20 °C and control pressure 4.5 bar

Operating pressure 3 bar (see order data - operating pressure code 0)

| DN | Pneumatic double acting | Code | Pneumatic single acting | Code |
|------|-------------------------|---------|-------------------------|---------|
| 700 | SY01F16-250 DA | YD25AL0 | SY01F25-400 SR4 | YS40EJ0 |
| 750 | SY01F16-250 DA | YD25AL0 | SY01F25-400 SR4 | YS40EJ0 |
| 800 | SY01F16-300 DA | YD30AL0 | SY01F25-400 SR4 | YS40EJ0 |
| 900 | SY01F16-300 DA | YD30AL0 | SY01F30-450 SR4 | YS45EM0 |
| 1000 | SY01F25-350 DA | YD35AJ0 | SY01F30-500 SR4 | YS50EM0 |
| 1100 | SY01F25-400 DA | YD40AJ0 | SY01F35-550 SR4 | YS55EH0 |
| 1200 | SY01F30-450 DA | YD45AM0 | SY01F35-700 SR4 | YS70EH0 |
| 1300 | SY01F30-450 DA | YD45AM0 | SY01F35-700 SR4 | YS70EH0 |
| 1400 | SY01F35-550 DA | YD55AH0 | SY01F40-800 SR4 | YS80ED0 |
| 1600 | SY01F35-600 DA | YD60AH0 | SY01F48-900 SR4 | YS90EE0 |

Operating pressure 6 bar (see order data - operating pressure code 1)

| | | | | |
|------|----------------|---------|------------------|----------|
| 700 | SY01F16-300 DA | YD30AL0 | SY01F25-450 SR4 | YS45EJ0 |
| 750 | SY01F25-350 DA | YD35AJ0 | SY01F25-450 SR4 | YS45EJ0 |
| 800 | SY01F16-300 DA | YD30AL0 | SY01F30-450 SR4 | YS45EM0 |
| 900 | SY01F25-350 DA | YD35AJ0 | - | - |
| 1000 | SY01F25-350 DA | YD35AJ0 | SY01F30-550 SR4 | YS55EM0 |
| 1100 | SY01F30-450 DA | YD45AM0 | SY01F35-600 SR4 | YS60EH0 |
| 1200 | SY01F30-500 DA | YD50AM0 | SY01F40-700 SR4 | YS70ED0 |
| 1300 | SY01F30-500 DA | YD50AM0 | SY01F40-700 SR4 | YS70ED0 |
| 1400 | SY01F35-550 DA | YD55AH0 | SY01F40-800 SR4 | YS80ED0 |
| 1600 | SY01F40-700 DA | YD70AD0 | SY01F48-1000 SR4 | YS1T0EE0 |

Operating pressure 10 bar (see order data - operating pressure code 2)

| | | | | |
|------|----------------|---------|-----------------|---------|
| 700 | SY01F16-300 DA | YD30AL0 | SY01F30-450 SR4 | YS45EM0 |
| 750 | SY01F25-350 DA | YD35AJ0 | SY01F25-450 SR4 | YS45EJ0 |
| 800 | SY01F25-350 DA | YD35AJ0 | SY01F30-500 SR4 | YS50EM0 |
| 900 | SY01F25-350 DA | YD35AJ0 | - | - |
| 1000 | SY01F25-400 DA | YD40AJ0 | SY01F35-550 SR4 | YS55EH0 |
| 1100 | SY01F30-450 DA | YD45AM0 | SY01F35-700 SR4 | YS70EH0 |
| 1200 | SY01F35-550 DA | YD55AH0 | - | - |
| 1300 | SY01F35-550 DA | YD55AH0 | - | - |
| 1400 | SY01F35-550 DA | YD55AH0 | - | - |
| 1600 | SY01F40-700 DA | YD70AD0 | - | - |

Operating pressure 16 bar (see order data - operating pressure code 3)

| | | | | |
|------|----------------|---------|-----------------|---------|
| 700 | SY01F25-350 DA | YD35AJ0 | SY01F30-500 SR4 | YS50EM0 |
| 750 | SY01F25-350 DA | YD35AJ0 | - | - |
| 800 | SY01F25-350 DA | YD35AJ0 | - | - |
| 900 | - | - | - | - |
| 1000 | SY01F30-450 DA | YD45AM0 | - | - |
| 1100 | - | - | - | - |
| 1200 | SY01F35-550 DA | YD55AH0 | - | - |
| 1300 | SY01F35-600 DA | YD60AH0 | - | - |
| 1400 | - | - | - | - |
| 1600 | SY01F40-800 DA | YD80AD0 | - | - |

| Order example | 1 | 2 | 3 | 4 | 5 | 6 | 7 | 8 | 9 | 10 | 11 | 12 |
|---------------|------|-------------------------------------|---|---|---|---|---|---|---|----|----|---------|
| Code | C481 | Order data butterfly valve (page 3) | | | | | | | | | F | YD45AM0 |

12 Order data / Operator dimensions - GEMÜ C481
Butterfly valve with pneumatic actuator [mm]

Technical data for liquids +20 °C and control pressure 6 bar

Operating pressure 3 bar (see order data - operating pressure code 0)

| DN | Pneumatic double acting | Code | Pneumatic single acting | Code |
|------|-------------------------|---------|-------------------------|---------|
| 700 | SY01F16-250 DA | YD25AL0 | SY01F16-350 SR6 | YS35KL0 |
| 750 | SY01F16-250 DA | YD25AL0 | SY01F16-350 SR6 | YS35KL0 |
| 800 | SY01F16-250 DA | YD25AL0 | SY01F25-350 SR6 | YS35KJ0 |
| 900 | SY01F25-350 DA | YD35AJ0 | SY01F25-400 SR6 | YS40KJ0 |
| 1000 | SY01F25-350 DA | YD35AJ0 | SY01F25-450 SR6 | YS45KJ0 |
| 1100 | SY01F25-350 DA | YD35AJ0 | SY01F30-500 SR6 | YS50KM0 |
| 1200 | SY01F30-450 DA | YD45AM0 | SY01F35-550 SR6 | YS55KH0 |
| 1300 | SY01F30-450 DA | YD45AM0 | SY01F35-550 SR6 | YS55KH0 |
| 1400 | SY01F30-450 DA | YD45AM0 | SY01F35-700 SR6 | YS70KH0 |
| 1600 | SY01F35-550 DA | YD55AH0 | SY01F40-800 SR6 | YS80KD0 |

Operating pressure 6 bar (see order data - operating pressure code 1)

| | | | | |
|------|----------------|---------|-----------------|---------|
| 700 | SY01F16-250 DA | YD25AL0 | SY01F25-350 SR6 | YS35KJ0 |
| 750 | SY01F16-250 DA | YD25AL0 | SY01F25-400 SR6 | YS40KJ0 |
| 800 | SY01F25-350 DA | YD35AJ0 | SY01F25-400 SR6 | YS40KJ0 |
| 900 | SY01F25-350 DA | YD35AJ0 | - | - |
| 1000 | SY01F25-350 DA | YD35AJ0 | SY01F30-500 SR6 | YS50KM0 |
| 1100 | SY01F30-450 DA | YD45AM0 | SY01F35-550 SR6 | YS55KH0 |
| 1200 | SY01F30-450 DA | YD45AM0 | SY01F35-600 SR6 | YS60KH0 |
| 1300 | SY01F30-500 DA | YS50EM0 | - | - |
| 1400 | SY01F30-450 DA | YD45AM0 | SY01F35-700 SR6 | YS70KH0 |
| 1600 | SY01F35-600 DA | YD60AH0 | SY01F48-800 SR6 | YS80KE0 |

Operating pressure 10 bar (see order data - operating pressure code 2)

| | | | | |
|------|----------------|---------|-----------------|---------|
| 700 | SY01F16-250 DA | YD25AL0 | SY01F25-400 SR6 | YS40KJ0 |
| 750 | SY01F25-350 DA | YD35AJ0 | SY01F25-400 SR6 | YS40KJ0 |
| 800 | SY01F25-350 DA | YD35AJ0 | SY01F25-450 SR6 | YS45KJ0 |
| 900 | SY01F25-350 DA | YD35AJ0 | - | - |
| 1000 | SY01F25-350 DA | YD35AJ0 | SY01F30-550 SR6 | YS55KM0 |
| 1100 | SY01F30-450 DA | YD45AM0 | SY01F35-600 SR6 | YS60KH0 |
| 1200 | SY01F30-450 DA | YD45AM0 | - | - |
| 1300 | SY01F35-550 DA | YD55AH0 | SY01F35-700 SR6 | YS70KH0 |
| 1400 | SY01F35-550 DA | YD55AH0 | - | - |
| 1600 | SY01F40-600 DA | YD60AD0 | SY01F48-900 SR6 | YS90KE0 |

Operating pressure 16 bar (see order data - operating pressure code 3)

| | | | | |
|------|----------------|---------|-----------------|---------|
| 700 | SY01F25-350 DA | YD35AJ0 | SY01F25-450 SR6 | YS45KJ0 |
| 750 | SY01F25-350 DA | YD35AJ0 | SY01F25-450 SR6 | YS45KJ0 |
| 800 | SY01F25-350 DA | YD35AJ0 | - | - |
| 900 | - | - | - | - |
| 1000 | SY01F30-450 DA | YD45AM0 | SY01F35-550 SR6 | YS55KH0 |
| 1100 | - | - | - | - |
| 1200 | SY01F35-550 DA | YD55AH0 | - | - |
| 1300 | SY01F35-550 DA | YD55AH0 | - | - |
| 1400 | - | - | - | - |
| 1600 | SY01F40-700 DA | YD70AD0 | - | - |

| Order example | 1 | 2 | 3 | 4 | 5 | 6 | 7 | 8 | 9 | 10 | 11 | 12 |
|---------------|------|-------------------------------------|---|---|---|---|---|---|---|----|----|---------|
| Code | C481 | Order data butterfly valve (page 3) | | | | | | | | | F | YD35AJ0 |

**12 Order data / Operator dimensions - GEMÜ C481
Butterfly valve with pneumatic actuator [mm]**

Technical data difficult conditions and control pressure 4.5 bar

Operating pressure 3 bar (see order data - operating pressure code 0)

| DN | Pneumatic double acting | Code | Pneumatic single acting | Code |
|------|-------------------------|---------|-------------------------|----------|
| 700 | SY01F16-300 DA | YD30AL0 | SY01F25-450 SR4 | YS45EJ0 |
| 750 | SY01F16-300 DA | YD30AL0 | SY01F30-450 SR4 | YS45EM0 |
| 800 | SY01F16-300 DA | YD30AL0 | SY01F30-450 SR4 | YS45EM0 |
| 900 | SY01F25-350 DA | YD35AJ0 | SY01F30-500 SR4 | YS50EM0 |
| 1000 | SY01F25-350 DA | YD35AJ0 | SY01F30-550 SR4 | YS55EM0 |
| 1100 | SY01F30-450 DA | YD45AM0 | SY01F35-600 SR4 | YS60EH0 |
| 1200 | SY01F30-450 DA | YD45AM0 | SY01F35-700 SR4 | YS70EH0 |
| 1300 | SY01F30-500 DA | YD50AM0 | SY01F40-700 SR4 | YS70ED0 |
| 1400 | SY01F35-550 DA | YD55AH0 | - | - |
| 1600 | SY01F40-600 DA | YD60AD0 | SY01F48-1000 SR4 | YS1T0EE0 |

Operating pressure 6 bar (see order data - operating pressure code 1)

| | | | | |
|------|----------------|---------|-----------------|---------|
| 700 | SY01F25-350 DA | YD35AJ0 | SY01F30-450 SR4 | YS45EM0 |
| 750 | SY01F25-350 DA | YD35AJ0 | SY01F30-500 SR4 | YS50EM0 |
| 800 | SY01F25-350 DA | YD35AJ0 | SY01F30-500 SR4 | YS50EM0 |
| 900 | SY01F25-350 DA | YD35AJ0 | - | - |
| 1000 | SY01F25-400 DA | YD40AJ0 | SY01F35-550 SR4 | YS55EH0 |
| 1100 | SY01F30-450 DA | YD45AM0 | SY01F35-700 SR4 | YS70EH0 |
| 1200 | SY01F35-550 DA | YD55AH0 | - | - |
| 1300 | SY01F35-550 DA | YD55AH0 | - | - |
| 1400 | SY01F35-550 DA | YD55AH0 | - | - |
| 1600 | SY01F40-700 DA | YD70AD0 | - | - |

Operating pressure 10 bar (see order data - operating pressure code 2)

| | | | | |
|------|----------------|---------|-----------------|---------|
| 700 | SY01F25-350 DA | YD35AJ0 | SY01F30-500 SR4 | YS50EM0 |
| 750 | SY01F25-350 DA | YD35AJ0 | SY01F30-500 SR4 | YS50EM0 |
| 800 | SY01F25-350 DA | YD35AJ0 | - | - |
| 900 | SY01F25-400 DA | YD40AJ0 | - | - |
| 1000 | SY01F30-450 DA | YD45AM0 | SY01F35-600 SR4 | YS60EH0 |
| 1100 | SY01F30-500 DA | YD50AM0 | SY01F40-700 SR4 | YS70ED0 |
| 1200 | SY01F35-550 DA | YD55AH0 | - | - |
| 1300 | SY01F35-550 DA | YD55AH0 | - | - |
| 1400 | SY01F40-600 DA | YD60AD0 | - | - |
| 1600 | SY01F40-800 DA | YD80AD0 | - | - |

Operating pressure 16 bar (see order data - operating pressure code 3)

| | | | | |
|------|----------------|---------|---|---|
| 700 | SY01F25-350 DA | YD35AJ0 | - | - |
| 750 | SY01F25-400 DA | YD40AJ0 | - | - |
| 800 | SY01F25-400 DA | YD40AJ0 | - | - |
| 900 | - | - | - | - |
| 1000 | - | - | - | - |
| 1100 | - | - | - | - |
| 1200 | - | - | - | - |
| 1300 | - | - | - | - |
| 1400 | - | - | - | - |
| 1600 | - | - | - | - |

| Order example | 1 | 2 | 3 | 4 | 5 | 6 | 7 | 8 | 9 | 10 | 11 | 12 |
|---------------|------|-------------------------------------|---|---|---|---|---|---|---|----|----|---------|
| Code | C481 | Order data butterfly valve (page 3) | | | | | | | | | F | YD35AJ0 |

**12 Order data / Operator dimensions - GEMÜ C481
Butterfly valve with pneumatic actuator [mm]**

Technical data difficult conditions and control pressure 6 bar

Operating pressure 3 bar (see order data - operating pressure code 0)

| DN | Pneumatic double acting | Code | Pneumatic single acting | Code |
|------|-------------------------|---------|-------------------------|---------|
| 700 | SY01F16-250 DA | YD25AL0 | SY01F25-350 SR6 | YS35KJ0 |
| 750 | SY01F16-250 DA | YD25AL0 | SY01F25-350 SR6 | YS35KJ0 |
| 800 | SY01F16-250 DA | YD25AL0 | SY01F25-400 SR6 | YS40KJ0 |
| 900 | SY01F25-350 DA | YD35AJ0 | SY01F25-450 SR6 | YS45KJ0 |
| 1000 | SY01F25-350 DA | YD35AJ0 | SY01F30-450 SR6 | YS45KM0 |
| 1100 | SY01F30-450 DA | YD45AM0 | SY01F30-550 SR6 | YS55KM0 |
| 1200 | SY01F30-450 DA | YD45AM0 | SY01F35-600 SR6 | YS60KH0 |
| 1300 | SY01F30-450 DA | YD45AM0 | SY01F35-700 SR6 | YS70KH0 |
| 1400 | SY01F35-550 DA | YD55AH0 | - | - |
| 1600 | SY01F35-600 DA | YD60AH0 | SY01F48-800 SR6 | YS80KE0 |

Operating pressure 6 bar (see order data - operating pressure code 1)

| | | | | |
|------|----------------|---------|-----------------|---------|
| 700 | SY01F25-350 DA | YD35AJ0 | SY01F25-400 SR6 | YS40KJ0 |
| 750 | SY01F25-350 DA | YD35AJ0 | SY01F25-450 SR6 | YS45KJ0 |
| 800 | SY01F25-350 DA | YD35AJ0 | SY01F25-450 SR6 | YS45KJ0 |
| 900 | SY01F25-350 DA | YD35AJ0 | - | - |
| 1000 | SY01F25-350 DA | YD35AJ0 | SY01F30-500 SR6 | YS50KM0 |
| 1100 | SY01F30-450 DA | YD45AM0 | SY01F35-600 SR6 | YS60KH0 |
| 1200 | SY01F30-450 DA | YD45AM0 | - | - |
| 1300 | SY01F35-550 DA | YD55AH0 | - | - |
| 1400 | SY01F35-550 DA | YD55AH0 | - | - |
| 1600 | SY01F40-600 DA | YD60AD0 | SY01F48-900 SR6 | YS90KE0 |

Operating pressure 10 bar (see order data - operating pressure code 2)

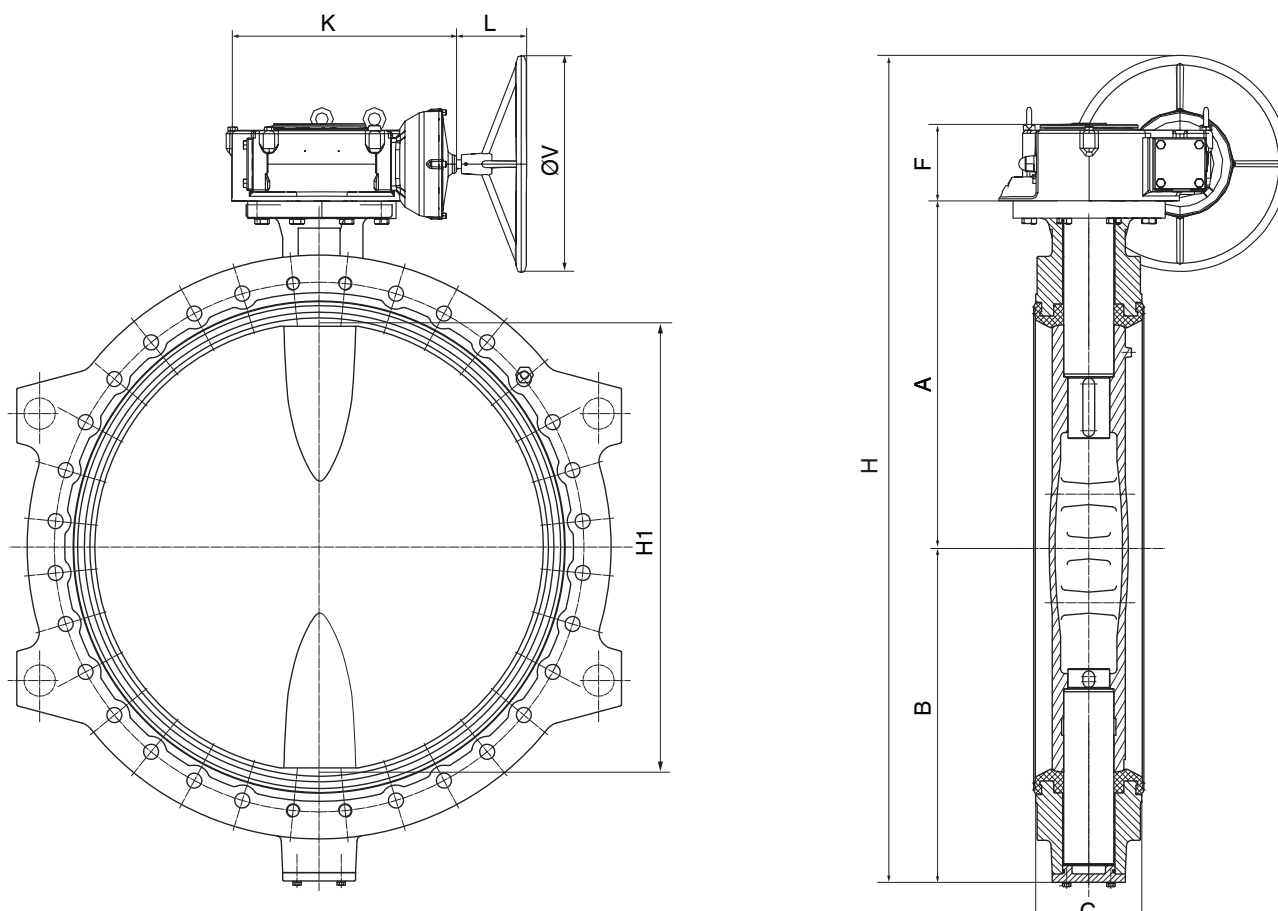
| | | | | |
|------|----------------|---------|-----------------|---------|
| 700 | SY01F25-350 DA | YD35AJ0 | SY01F25-450 SR6 | YS45KJ0 |
| 750 | SY01F25-350 DA | YD35AJ0 | SY01F25-450 SR6 | YS45KJ0 |
| 800 | SY01F25-350 DA | YD35AJ0 | - | - |
| 900 | SY01F25-350 DA | YD35AJ0 | - | - |
| 1000 | SY01F30-450 DA | YD45AM0 | SY01F30-550 SR6 | YS55KM0 |
| 1100 | SY01F30-450 DA | YD45AM0 | SY01F35-700 SR6 | YS70KH0 |
| 1200 | SY01F35-550 DA | YD55AH0 | - | - |
| 1300 | SY01F35-550 DA | YD55AH0 | - | - |
| 1400 | SY01F35-550 DA | YD55AH0 | - | - |
| 1600 | SY01F40-700 DA | YD70AD0 | - | - |

Operating pressure 16 bar (see order data - operating pressure code 3)

| | | | | |
|------|----------------|---------|---|---|
| 700 | SY01F25-350 DA | YD35AJ0 | - | - |
| 750 | SY01F25-350 DA | YD35AJ0 | - | - |
| 800 | SY01F25-350 DA | YD35AJ0 | - | - |
| 900 | - | - | - | - |
| 1000 | SY01F30-450 DA | YD45AM0 | - | - |
| 1100 | - | - | - | - |
| 1200 | SY01F35-550 DA | YD55AH0 | - | - |
| 1300 | SY01F35-600 DA | YD60AH0 | - | - |
| 1400 | SY01F40-600 DA | YD60AD0 | - | - |
| 1600 | - | - | - | - |

| Order example | 1 | 2 | 3 | 4 | 5 | 6 | 7 | 8 | 9 | 10 | 11 | 12 |
|---------------|------|-------------------------------------|---|---|---|---|---|---|---|----|----|---------|
| Code | C481 | Order data butterfly valve (page 3) | | | | | | | | | F | YD35AJ0 |

Order data / Operator dimensions - GEMÜ C487
Butterfly valve with single acting pneumatic actuator [mm]



| DN | Designation | Code | A | B | C | F | H | H1 | K | L | ØV |
|------|----------------|---------|------|------|-----|-----|------|------|-------|-----|-----|
| 700 | GB2000N LB | GB2000N | 570 | 518 | 165 | 121 | 1227 | 659 | 195,0 | 150 | 500 |
| 800 | GB2000N LB | GB2000N | 749 | 567 | 190 | 121 | 1727 | 749 | 195,0 | 150 | 600 |
| 900 | GB1950N PR4 | GB1950N | 700 | 650 | 203 | 126 | 1711 | 852 | 272,5 | 150 | 500 |
| 1000 | GB3000N LB PR4 | GB3000N | 750 | 716 | 216 | 155 | 1837 | 952 | 315,0 | 150 | 500 |
| 1100 | GB6800N LB PR6 | GB6800N | 820 | 780 | 254 | 193 | 1971 | 1049 | 389,5 | 150 | 500 |
| 1200 | GB6800N LB PR6 | GB6800N | 870 | 830 | 254 | 193 | 2062 | 1147 | 389,5 | 150 | 500 |
| 1300 | GB6800N LB PR6 | GB6800N | 960 | 935 | 276 | 193 | 2316 | 1232 | 389,5 | 150 | 600 |
| 1400 | A200N PR 10 | GB200N | 1015 | 975 | 279 | 215 | 2455 | 1358 | 416,5 | 150 | 600 |
| 1600 | IW82 | GBIW82 | 1170 | 1148 | 318 | 193 | 2714 | | 625,0 | 150 | 600 |

| Order example | 1 | 2 | 3 | 4 | 5 | 6 | 7 | 8 | 9 | 10 | 11 | 12 |
|---------------|------|---|-------------------------------------|---|---|---|---|---|---|----|----|---------|
| Code | C487 | | Order data butterfly valve (page 3) | | | | | | | | F | GB1950N |

| Certificate | Standard | Item number |
|--|--------------------------------------|-------------|
| 2.1 Certificate of compliance with the order | EN 10204 | 88039442 |
| 2.2 Functionality | EN 10204/EN 12266-2 F20 | 88439527 |
| 2.2 Pressure test | EN 10204, DIN EN 12266 P10, P11, P12 | 88039443 |
| 3.1 Body material | EN 10204 | 88436336 |
| 3.1 Disc material | EN 10204 | 88436337 |
| 3.1 Pressure test | DIN EN 12266-1 P10, P11, P12 | 88296962 |

All rights including copyright and industrial property rights are expressly reserved.

Should there be any doubts or misunderstandings, the German version of this data sheet is the authoritative document!

Subject to alteration · 02/2021 · 88446091

For further butterfly valves, accessories and other products, please see our Product Range catalogue and Price List.
Contact GEMÜ.

GEMÜ VALVES, MEASUREMENT
AND CONTROL SYSTEMS

