

GEMÜ 1435 ePos

Intelligent electro-pneumatic positioner



Features

- Simple handling and commissioning
- Suitable for use at low temperatures
- Simple electrical connection by detachable terminals
- Automatically optimizes the valve control during initialization
- No air consumption when idle

Description

The GEMÜ 1435 ePos digital electro-pneumatic positioner is used to control pneumatically operated process valves with single acting or double acting linear or quarter turn actuators, and detects the position of the valve using an external travel sensor. It has a robust aluminium housing with protected operating keys and an LCD display which allows the product to be individually adapted to the control task. The travel times can be set using integrated throttles. Connection and mounting to NAMUR is also possible. Therefore, the GEMÜ 1435 ePos is an optimal solution for control tasks with high requirements, especially in applications with harsh environmental conditions.

Technical specifications

- **Ambient temperature:** -20 to 60 °C
- **Operating pressure :** 0 to 6 bar
- **Mode of action:** Double acting | Single acting
- **Flow rate:** 50 NI/min | 90 NI/min
- **Measuring range:** Max. 30 mm, linear | Max. 50 mm, linear | Max. 75 mm, linear | Max. 90°, radial
- **Supply voltage:** 24 V DC
- **Electrical connection types:** M12 cable gland | M12 connector
- **Conformity:** EAC

Technical data depends on the respective configuration



Product line



GEMÜ 1434
μPos



GEMÜ 1436 eco
cPos



GEMÜ 1435
ePos



GEMÜ 1436
cPos

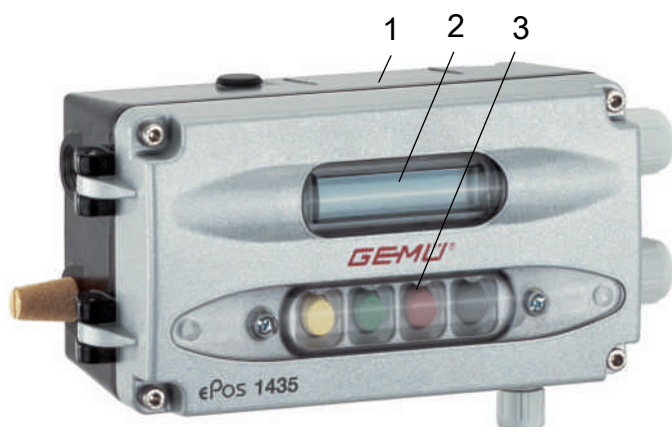


GEMÜ 1441
cPos-X

Controller type

Positioner	●	●	●	-	●
Positioners and process controllers	-	-	-	●	-
Ambient temperature	0 Up to 60 °C	0 Up to 60 °C	-20 Up to 60 °C	0 Up to 60 °C	-10 Up to 60 °C
Supply voltage					
24 V DC	●	●	●	●	-
Via set value signal	-	-	-	-	●
Flow rate	15 NI/min	100 NI/min 84 NI/min	50 NI/min 90 NI/min	100 NI/min 172 NI/min 84 NI/min	115 NI/min
Measuring range					
Max. 30 mm, linear	●	●	●	●	-
Max. 50 mm, linear	-	●	●	●	-
Max. 75 mm, linear	-	●	●	●	●
Max. 90°, radial	-	●	●	●	●
Electrical connection type					
M12 cable gland	-	-	●	-	-
M12 connector	●	●	●	●	-
M16 cable gland	-	-	-	-	●
M12 plug	-	-	-	-	●
Programmable outputs					
No	●	●	-	-	-
Yes	-	-	●	●	●
Input option					
No	●	●	-	-	●
Yes	-	-	●	●	-
Conformity					
ATEX	-	-	-	-	●
EAC	●	●	●	●	-
FCC	-	-	-	-	●
HART	-	-	-	-	●
IECEX	-	-	-	-	●
UL listed	-	●	-	-	●
UL Recognized	-	-	-	-	●

Product description



Item	Name	Materials
1	Housing	Base: Aluminium, epoxy coated, black Cover: Aluminium, powder coated, silver
2	Display with cover	PMMA
3	Operating elements with cover	PMMA

Functions

- Automatic initialization of actuator and positioner
- Position standardization Min. Position
- Position standardization Max. Position
- Close tight function at Min./Max. position
- Linearization function for set value → Position (linear, 1:25, 1:50, freely programmable)
- Definition of freely programmable characteristic curve via 11 calibration points
- For details see parameter table of operating instructions
- Alphanumeric display, 2 lines with 16 digits each, with background light

GEMÜ CONEXO

The interaction of valve components that are equipped with RFID chips and an associated IT infrastructure actively increase process reliability.



Thanks to serialization, every valve and every relevant valve component such as the body, actuator or diaphragm, and even automation components, can be clearly traced and read using the CONEXO pen RFID reader. The CONEXO app, which can be installed on mobile devices, not only facilitates and improves the "installation qualification" process, but also makes the maintenance process much more transparent and easier to document. The app actively guides the maintenance technician through the maintenance schedule and directly provides him with all the information assigned to the valve, such as test reports, testing documentation and maintenance histories. The CONEXO portal acts as a central element, helping to collect, manage and process all data.

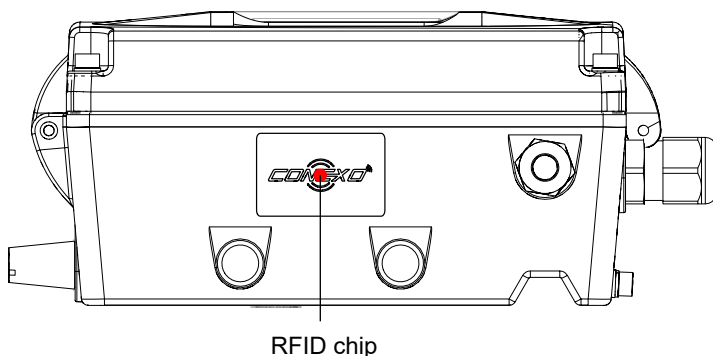
For further information on GEMÜ CONEXO please visit:

www.gemu-group.com/conexo

Ordering

GEMÜ Conexo must be ordered separately with the ordering option "CONEXO".

Installing the RFID chip



Availability

Option code ¹⁾	Actual value output		Heating element	Interface design	
	0 – 10 V	4 – 20 mA		Cable gland	M12 plug
0	X	-	-	X	-
1	X	-	-	-	X
2	-	X	-	X	-
3	-	X	-	-	X
4	-	X	X	X	-
5	X	-	X	-	X
6	X	-	X	X	-
7	-	X	X	-	X

Flow rate	Action	
	Single acting	Double acting
50 l/min (Code 01)	X	X
90 l/min (Code 02)	X	-

1) Option

Code 0: Without

Code 1: Electrical connections M12, 5-pin

Code 2: 4–20 mA, actual value output

Code 3: 4- 20 mA, actual value output, electrical connections M12, 5-pin

Code 4: 4 - 20 mA, actual value output, heating element

Code 5: Electrical connections M12, 5-pin, heating element

Code 6: Heating element

Code 7: 4 - 20 mA, actual value output, electrical connections M12, 5-pin, heating element

Order data

The order data provide an overview of standard configurations.

Please check the availability before ordering. Other configurations available on request.

Note: Pneumatic connecting components (union and compressed air tube) for the connection between the process valve and positioner are included with each positioner.

Note: A valve specific mounting kit is required for assembly. For designing the mounting kit, the valve type, nominal size, control function and actuator size must be stated.

Order codes

1 Type	Code
Electro-pneumatic positioner ePos	1435

2 Fieldbus	Code
Without	000

3 Accessory	Code
Accessory	Z

4 Action	Code
Single acting	1
Double acting	3

5 Explosion-proof class	Code
Without explosion-proof rating	0

6 Option	Code
Without	0
Electrical connections M12, 5-pin	1
4-20 mA, actual value output	2
4-20 mA, actual value output, electrical connections M12, 5-pin	3
4-20 mA, actual value output, heating element	4

6 Option	Code
Electrical connections M12, 5-pin, heating element	5

Heating element	6
4-20 mA, actual value output, electrical connections M12, 5-pin, heating element	7

7 Flow rate	Code
Electro-pneumatic, 50 l/min	01
Electro-pneumatic, 90 l/min (Booster)	02

8 Special specification	Code
Without	
Dead zone presetting 2%	2442
Dead zone presetting 5%	2443
Inversed direction, for quarter turn valves control function NO (2)	6960

9 CONEXO	Code
Without	
Integrated RFID chip for electronic identification and traceability	C

Order example

Ordering option	Code	Description
1 Type	1435	Electro-pneumatic positioner ePos
2 Fieldbus	000	Without
3 Accessory	Z	Accessory
4 Action	1	Single acting
5 Explosion-proof class	0	Without explosion-proof rating
6 Option	0	Without
7 Flow rate	01	Electro-pneumatic, 50 l/min
8 Special specification		Without
9 CONEXO		Without

Technical data

Medium

Working medium:	Compressed air and inert gases
Dust content:	Class 3, max. particle size 5 µm, max. particle density 5 mg/m ³
Pressure dew point:	Class 4, max. pressure dew point +3 °C
Oil content:	Class 3, max. oil concentration 1 mg/m ³ Quality classes to DIN ISO 8573-1 Note: Filter strainers are installed in the pneumatic connectors of the positioner to protect against rough dirt particles. They can be ordered as spare parts with order number 1435 SFI. Each kit contains 3 filter strainers. These filter strainers are meant as an additional protection and do not replace the requirement to filter all site compressed air.

Temperature

Ambient temperature:	0 – 60 °C (standard, Option code 0, 1, 2, 3) -20 – 60 °C (with heating element, Option code 4, 5, 6, 7) ≤ 5 °C (heating active) ≥ 15 °C (heating inactive)
Storage temperature:	0 – 60 °C

Product compliance

EMC Directive:	2014/30/EU
RoHS Directive:	2011/65/EU

Pressure

Operating pressure:	0 – 6 bar The applied pressure must not exceed the maximum control pressure of the process valve.
Flow rate:	50 NI/min (Flow rate code 01) 90 NI/min (Flow rate code 02)
Air consumption:	0 NI/min (when idle)

Mechanical data

Installation position:	Optional
Protection class:	IP 65 acc. to EN 60529
Weight:	1.7 kg

Travel sensor:

	Linear design			Quarter turn design
Detection range:	1–29 mm	1.5–48.5 mm	2.0–73 mm	Angle of rotation 5–90°
Operating range:	0–30 mm	0–50 mm	0–75 mm	Angle of rotation 0 - 93°
Resistance R:	3 kΩ	5 kΩ	5 kΩ	3 kΩ
Minimum travel sensor change:	10% (only relevant for initialization)			
Connection:	Pre-fitted cable (max. 20 m)			
Installation:	external			
Correlation - Travel sensor ¹⁾ spindle/valve position	Retracted (top) ± 100% (valve open)			90° ± 100% (valve open)
	Extended (bottom) ± 0% (valve closed)			0° ± 0% (valve closed)

1) Type of design code 6960: Inversed mode of action compared with description (Travel sensor signal inversed). For valves with inverted correlation.

Electrical data

Power supply

Supply voltage: 24 V DC (-5/+10%)

Power consumption: Single acting: ≤ 6.5 W
 Double acting / Booster: ≤ 9.8 W
 plus in each case: max. 36 W for active digital outputs with max. on-load current
 max. 25 W for operation with heating element

Reverse polarity protection: Yes

Duty cycle: Continuous duty

Electrical protection class: III

Analogue input

Set value input: 0/4 - 20 mA; 0 - 10 V

Input type: passive

Input load: 0/4–20 mA:
 50 Ω + approx. 0.7 V voltage drop due to reverse battery protection
 0–10 V:
 100 kΩ

Accuracy/linearity: ≤ ±0.3% of full scale value

Temperature drift: ≤ ±0.5% of full scale value

Resolution: 12 bit

Reverse polarity protection: yes

Overload proof: Yes (up to ± 24 V DC)

Analogue output

Note:	The analogue output 4-20 mA must be ordered using the ordering option "Option".
Actual value output:	0 - 10 V 4 - 20 mA (optional)
Output type:	Active
On-load current:	0–10 V: Max. 10 mA
Load resistor:	4 – 20 mA: max. 600 Ω (for ordering option "Option" code 2, 3, 4, 7)
Accuracy/linearity:	$\leq \pm 1\%$ of full scale value
Temperature drift:	$\leq \pm 0.5\%$ of full scale value
Resolution:	12 bit
Short-circuit proof:	Yes
Overload proof:	Yes (up to ± 24 V DC)

Digital output signals

Switching outputs:	Alarm output 1 Alarm output 2 Error message output
Switching voltage:	Supply voltage
Drop voltage:	Max. 2.5 V DC at 0.5 A
Short-circuit proof:	yes
Overload proof:	Yes (up to ± 24 V DC)
Type of contact:	PNP
Pull-Down resistance:	120 k Ω
On-load current:	max. 0.5 A

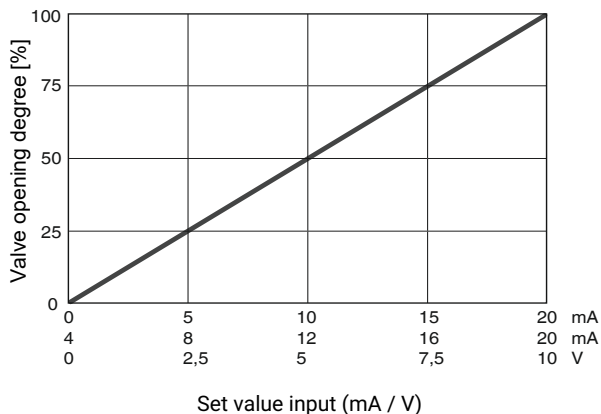
Travel sensor input

Supply voltage UP+:	Typically 10 V DC
Resistance range of remote potentiometers:	1 to 10 k Ω
Input voltage range:	0 to U_{P+}
Input resistance:	330 k Ω
Accuracy/linearity:	$\leq \pm 0.3\%$ of full scale value
Temperature drift:	$\leq \pm 0.3\%$ of full scale value
Resolution:	12 bit

Positioner specifications

Note: The following diagram is valid for valves with a standard assignment of the spindle position to the valve position.
(See section "Mechanical data, correlation between travel sensor spindle/valve position")

Control diagram: Default setting / The control characteristic is adjustable.



During initialization, the 1435 ePos positioner automatically detects the control function of the valve and adjusts itself by default so that the valve is closed when the signal is 0/4 mA or 0 V.*
The assignment can be changed subsequently by means of parameters.
* with double acting actuators dependent on pneumatic actuator

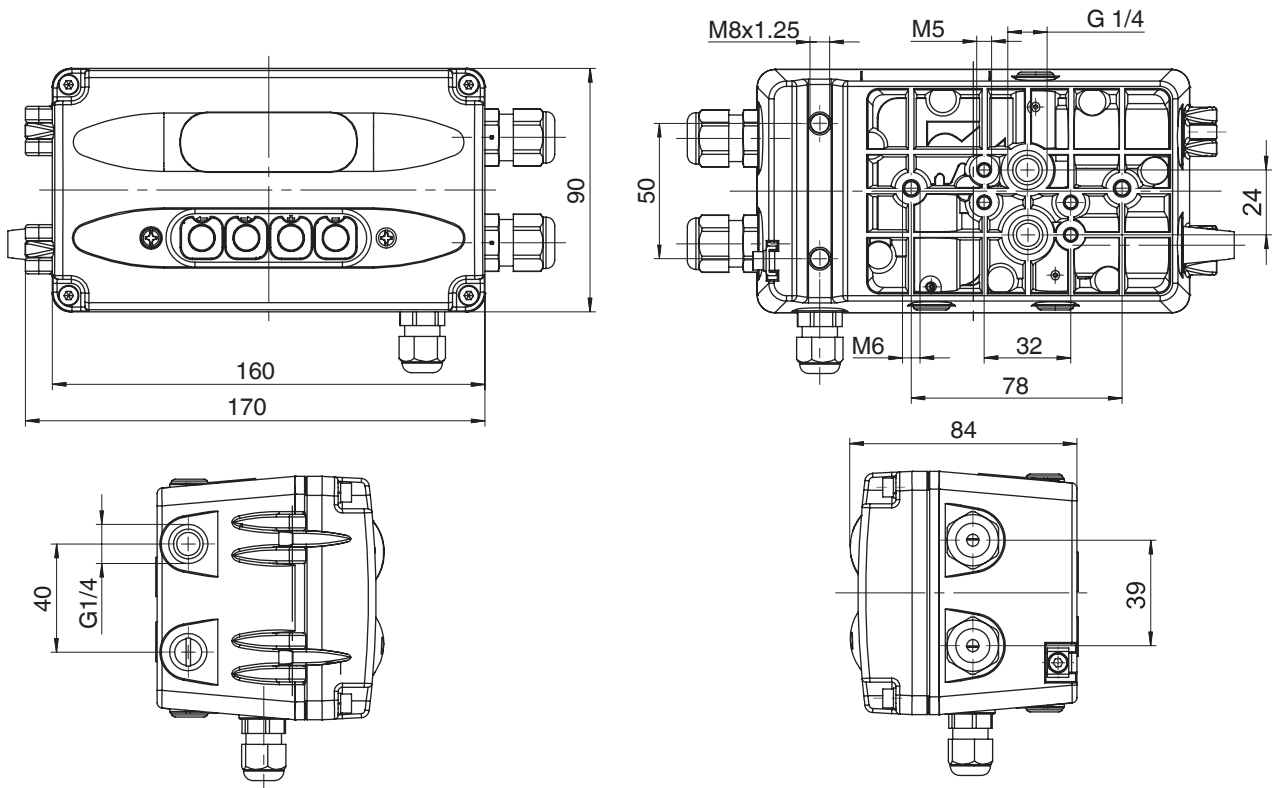
System deviation (dead zone): 1 % default setting
 ≥ 0.1 % (adjustable)
 ≤ 2.0 % (preset, K-no. 2442)
 ≤ 5.0 % (preset, K-no. 2443)

Initialization: automatic (manual possible in ADVANCED system mode)

Close tight function: option

Dimensions

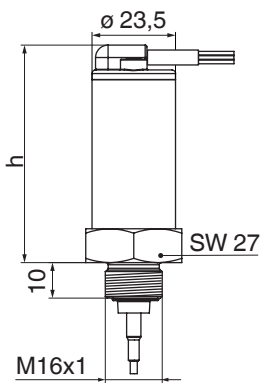
Positioner dimensions



Dimensions in mm

GEMÜ 4232 travel sensor

Housing material aluminium

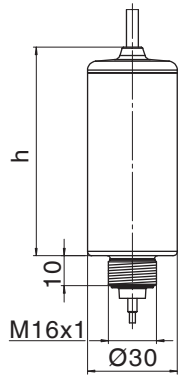


Travel sensor length (code)	h
030	62.2
050	84.2
075	109.2

Dimensions in mm

Dimensions

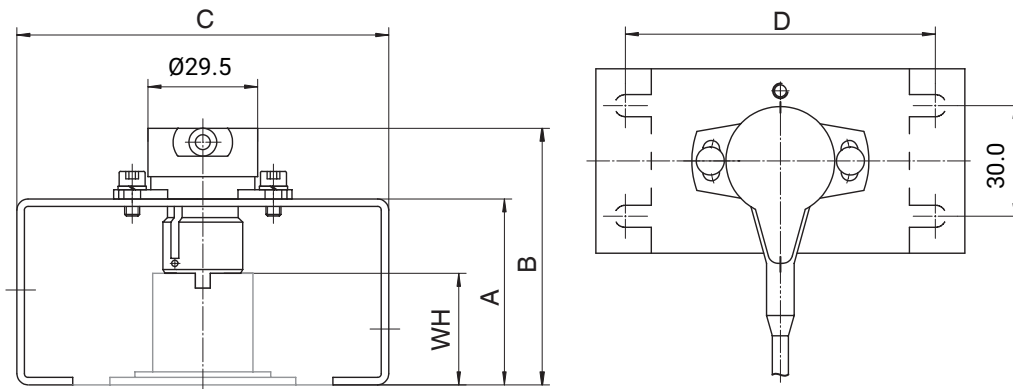
Housing material PVDF or PP



Travel sensor length (code)	h
030	69.6
050	91.6
075	116.6

Dimensions in mm

GEMÜ 4231 travel sensor with mounting bracket

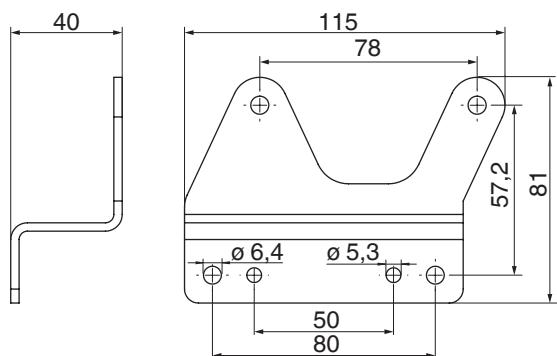


WH Shaft height	D Hole spacing	A	B	C
20.0	80.0	40.0	59.0	100.0
30.0	80.0	50.0	69.0	100.0
50.0	130.0	70.0	89.0	150.0

Dimensions in mm

Mounting bracket for GEMÜ 1435

Mounting bracket for positioner wall mounting, order no. 1435 000 ZMP



Dimensions in mm

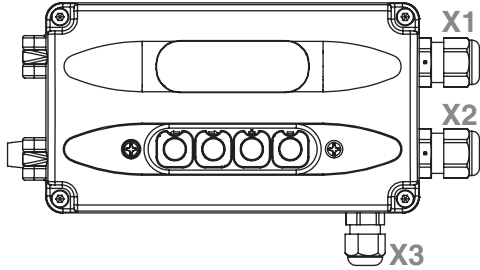
Please order mounting bracket and travel sensor separately.

Electrical connection

Electrical connection with cable gland

Note: Ordering option Option code 0, 2, 4, 6

Position of the connections



Connection X1/X2: M16 cable gland

Connection X3: M12 cable gland

Recommended cable diameter: X1 / X2: 4 - 10 mm
X3: 3.5 - 7 mm

Terminals: Wago 236

Cross section of wire: 0.5...2.5 mm² / AWG 20...12

Internal wiring:



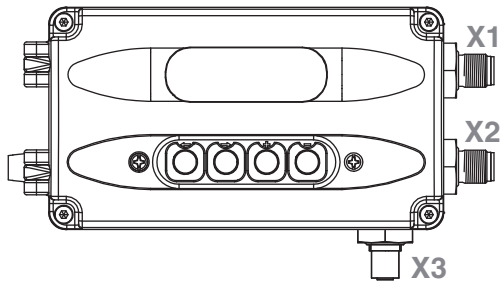
		Key
10 V	green ¹⁾	Connection of external travel sensor
X	brown ¹⁾	
I	white ¹⁾	
I _w +		Set value input 0 / 4-20 mA
I _w -		
U _w +		Set value input 0 - 10 V
U _w -		
X+		Actual value output 0 - 10 V 4-20 mA (optional) - internal supply
X-		
GND		Supply voltage 24 V DC
24 V		
⊕		Potential earth
A1		Alarm 1
A2		Alarm 2
ERR		Error message output
I		GND out

1) Core colours when using an external travel sensor GEMÜ 4231 or 4232. Connect in the specified order. Other external travel sensors may have different core colours.

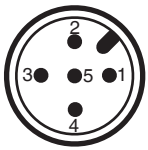
Electrical connection with M12

Note: Ordering option Option code 1, 3, 5, 7

Position of the connectors

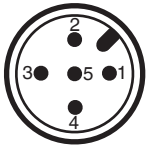


Connection X1



Pin	Signal name
1	Uv, 24 V DC supply voltage
2	Uo, error message output, 24 V DC
3	Uv, GND supply voltage
4	Uo, alarm output 1, 24 V DC
5	Uo, alarm output 2, 24 V DC

Connection X2



Pin	Signal name
1	Iw+, set value input 0/4–20 mA *
2	Iw-, set value input 0/4–20 mA *
3	X+, actual value output 0 - 10 V / 4-20 mA
4	X-, actual value output 0 - 10 V / 4-20 mA
5	n.c.

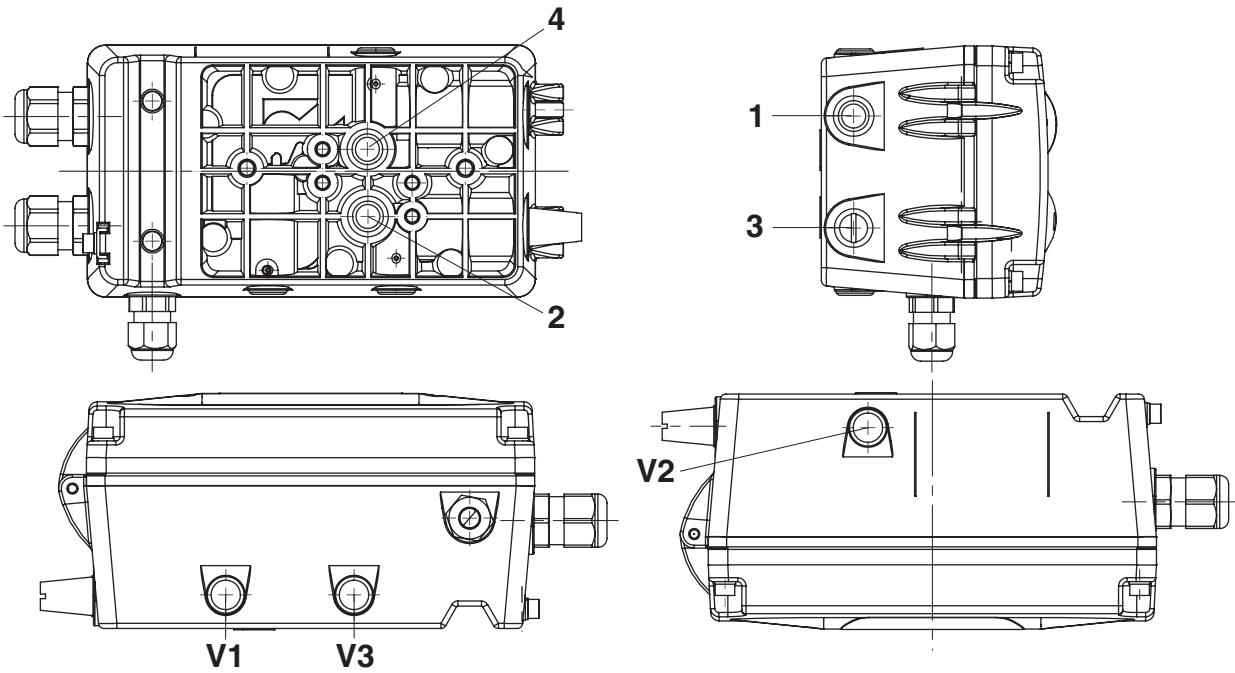
* For set value input $U_w = 0 - 10\text{ V}$ on-site rewiring is required

Connection X3 (for travel sensor connection)



Pin	Signal name
1	UP+, actual value supply 10 V DC
2	UPsig, actual value input 0–10 V DC
3	UP-, actual value supply GND
4	n.c.
5	n.c.

Pneumatic connection



Connection	DIN ISO 1219-1	Designation
P	1	Air supply connection G1/4
R	3	Venting connection G1/4 with silencer
D1	V1	Exhaust air throttle for A1
D2	V2	Exhaust air throttle for A2 (only double acting type (code 3))
RV	V3	Check valve
A1	2	Working connection for process valve
A2	4	Working connection for process valve (only double acting type (code 3))

Fail safe function

Error	Working connection A1	Working connection A2
Electrical power supply failure	Single acting: vented Double acting: vented	Single acting: non existent Double acting: pressurized
Pneumatic supply failure	Single acting: vented Double acting: undefined, dependent on the operating conditions of the actuator	Single acting: non existent Double acting: undefined, dependent on the operating conditions of the actuator

This fail safe function is not a substitute for specific plant safety requirements.

Safety reaction

Error	Working connection A1	Working connection A2
Set value < 4.0 mA*	Single acting: vented Double acting: vented	Single acting: non existent Double acting: pressurized
Set value > 20 mA or 10 V	Single acting: vented Double acting: vented	Single acting: non existent Double acting: pressurized

* only when using 4-20 mA set value type (parameter setting)

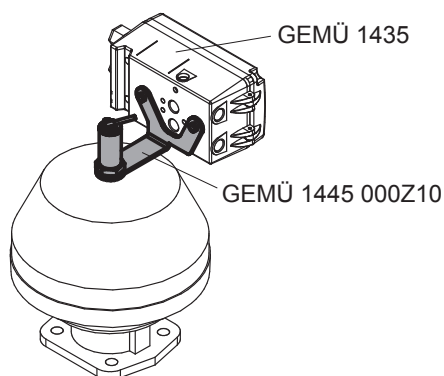
Mounting options

Mounting the positioner to linear actuators

Direct mounting

For direct mounting of the positioner on a valve with linear actuator, you need the following components

- GEMÜ 1435 positioner
- Valve specific mounting kit GEMÜ 1445 000Z10... with travel sensor and mounting bracket for mounting the positioner (At the time of ordering, specify the valve type with nominal size and control function)



Remote mounting

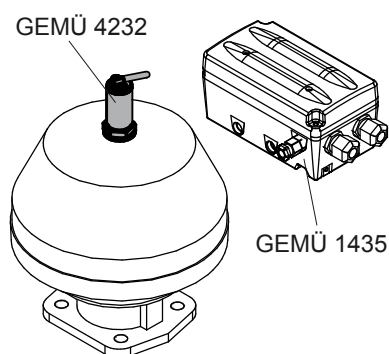
For remote mounting of the positioner on a valve with linear actuator, you need the following components

- GEMÜ 1435 positioner
- Travel sensor GEMÜ 4232 ... 030, 050 or 075

(Travel sensor version dependent on the valve used, cable length dependent on the required distance between the valve and positioner)

- GEMÜ 4232 S01 Z... valve specific mounting kit for mounting the travel sensor
- GEMÜ 1435 000 ZMP mounting bracket (optional) for fixing the positioner

(At the time of ordering, specify the valve type with nominal size and control function and the required distance to the mounting location of the positioner)



By using remote mounting and additional, deviating components, the valve can also be used in potentially explosive areas (provided that this is approved). In this case, the positioner must be installed outside the potentially explosive area and the connection with the travel sensor established via safety barriers.

The electrical connection and the installation must be carried out in accordance with the specifications in the operating instructions.

Applicable area (zone) dependent on the type of ignition protection of the valve or travel sensor.

The following deviating, supplementary components are to be used for this type of operation:

- Travel sensor in explosion-proof design GEMÜ 4232 ... 030/050/075 ... 0000 ... X
Travel sensor version dependent on the valve used, cable length dependent on the distance between the critical (potentially explosive) and safe zone

Mounting options

- Connector between travel sensor and positioner, GEMÜ 1219000Z0300SG00M0M125A, order number: 88208779 (only required for version with M12 plug - ordering option Option code 1, 3, 5, 7)
- Safety barrier A two-channel, safety barrier P626, order number: 99014203 *
- Safety barrier B one-channel, safety barrier P630, order number: 99014207 *

* Alternative safety barriers with similar characteristics can be used on-site – technical properties available on request

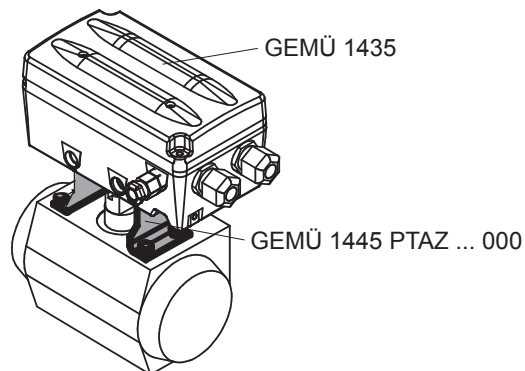
Mounting the positioner to quarter turn actuators

Direct mounting

For direct mounting of the positioner on a valve with quarter turn actuator, you need the following components

- GEMÜ 1435 positioner
- GEMÜ 1445 000 PTAZ...000 valve specific mounting kit with travel sensor and mounting parts for mounting the positioner (see following order data)

(When ordering, specify valve type with actuator flange size)

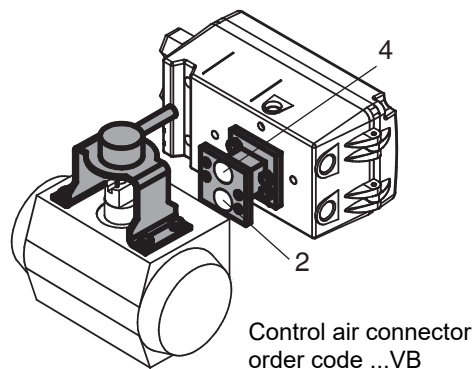


For direct mounting of the positioner (via NAMUR adapter) to the horizontally or vertically aligned control air connectors of a quarter turn actuator, you need the following components

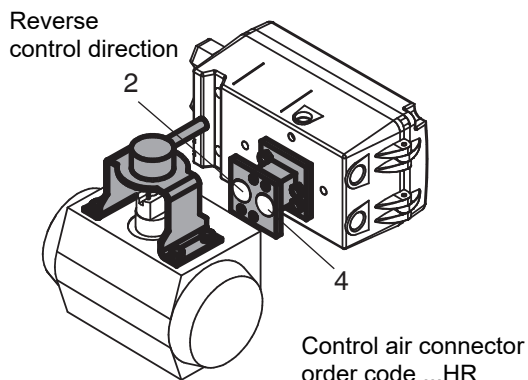
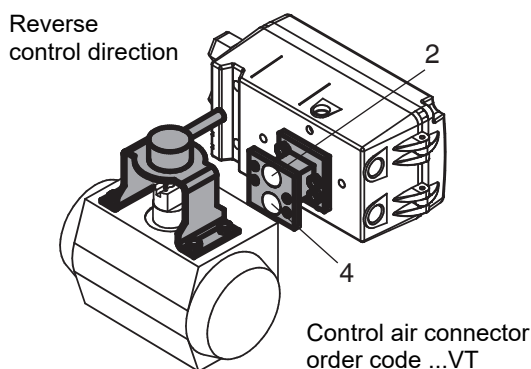
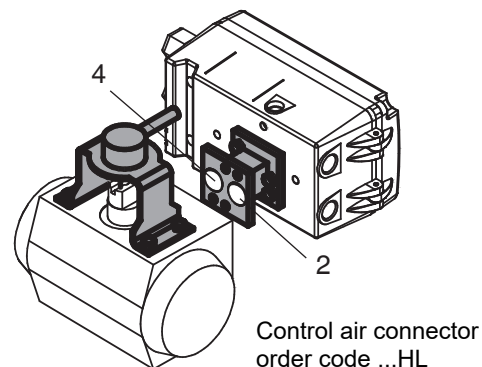
- GEMÜ 1435 positioner
- GEMÜ 1445 PTAZ...V or H valve specific mounting kit with travel sensor and mounting parts for mounting the positioner (see following order data)

(At the time of ordering, specify the valve type with actuator flange size, NAMUR size of the control air connectors and the required distance to the mounting location of the positioner)

GEMÜ 1445 PTAZ ... V..



GEMÜ 1445 PTAZ ... H..

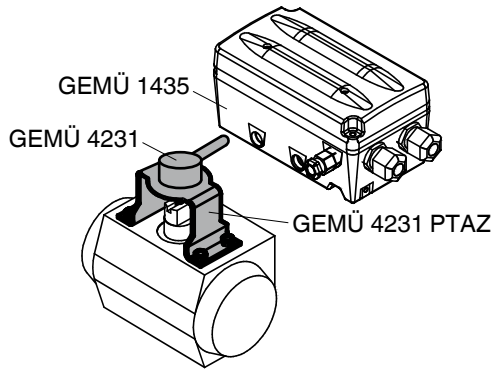


Remote mounting

For remote mounting of the positioner on a valve with quarter turn actuator, you need the following components

- GEMÜ 1435 positioner
- GEMÜ 4231 travel sensor (cable length dependent on the required distance between the valve and positioner)
- 4231PTAZ... ..090 000 valve specific mounting kit for mounting the travel sensor (see following order data)
- GEMÜ 1435 000 ZMP mounting bracket (optional) for fixing the positioner

(At the time of ordering, specify the actuator flange size and the required distance to the mounting location of the positioner)



By using remote mounting and additional, deviating components, the valve can also be used in potentially explosive areas (provided that this is approved). In this case, the positioner must be installed outside the potentially explosive area and the connection with the travel sensor established via safety barriers.

The electrical connection and the installation must be carried out in accordance with the specifications in the operating instructions.

Applicable area (zone) dependent on the type of ignition protection of the valve or travel sensor.

The following deviating, supplementary components are to be used for this type of operation:

- GEMÜ 4231 ... 0000 travel sensor
cable length dependent on the required distance between critical (potentially explosive) and safe zone
- Connector between travel sensor and positioner, GEMÜ 1219000Z0300SG00M0M125A, order number: 88208779 (only required for version with M12 plug - ordering option Option code 1, 3, 5, 7)
- Safety barrier A two-channel, safety barrier P626, order number: 99014203 *
- Safety barrier B one-channel, safety barrier P630, order number: 99014207 *

* Alternative safety barriers with similar characteristics can be used on-site – technical properties available on request

Order data of the valve specific mounting kits for quarter turn actuators

The order data provide an overview of standard configurations.

Please check the availability before ordering. Other configurations available on request.

Order codes

1 Type	Code
Mounting kit for GEMÜ 1435	1445
Mounting kit for GEMÜ 4231	4231

2 Mounting kit	Code
For pneumatic quarter turn actuators	PTAZ

3 Accessory adaption	Code
Hole spacing 50 x 25, shaft height 15, (size AA 0, EN 15714-3)	00
Hole spacing 80 x 30, shaft height 20, (size AA 1, EN 15714-3)	01
Hole spacing 80 x 30, shaft height 30, (size AA 2, EN 15714-3)	02
Hole spacing 130 x 30, shaft height 30, (size AA 3, EN 15714-3)	03
Hole spacing 130 x 30, shaft height 50, (size AA 4, EN 15714-3)	04

4 Angle of rotation	Code
Angle of rotation 90°	090

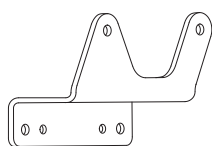
5 Connection for pilot valves	Code
Mounting kit for GEMÜ 1435 (code 1445) and GEMÜ 4231 (code 4231)	
Control air connector	000

5 Connection for pilot valves	Code
Mounting kit for GEMÜ 1435 (code 1445)	
Control air connector G 1/8 and G 1/4, connection pattern horizontal, connector 2 on the left	4HL
Control air connector G 1/8 and G 1/4, connection pattern horizontal, connector 2 on the right	4HR
Control air connector G 1/8 and G 1/4, connection pattern vertical, connector 2 at the bottom	4VB
Control air connector G 1/8 and G 1/4, connection pattern vertical, connector 2 at the top	4VT
Control air connector G 3/8 and G 1/2, connection pattern horizontal, connector 2 on the left	8HL
Control air connector G 3/8 and G 1/2, connection pattern horizontal, connector 2 on the right	8HR
Control air connector G 3/8 and G 1/2, connection pattern vertical, connector 2 at the bottom	8VB
Control air connector G 3/8 and G 1/2, connection pattern vertical, connector 2 at the top	8VT

Order example

Ordering option	Code	Description
1 Type	1445	Mounting kit for GEMÜ 1435
2 Mounting kit	PTAZ	For pneumatic quarter turn actuators
3 Accessory adaption	00	Hole spacing 50 x 25, shaft height 15, (size AA 0, EN 15714-3)
4 Angle of rotation	090	Angle of rotation 90°
5 Connection for pilot valves	000	Control air connector

Accessory



GEMÜ 1435 000 ZMP

Mounting bracket

GEMÜ 1435 000 ZMP... is a mounting bracket for wall mounting (for external mounting) the GEMÜ 1435 ePos intelligent positioner.

Designation	Order number
1435 000 ZMP	88209722



GEMÜ Gebr. Müller Apparatebau GmbH & Co. KG
Gert-Müller-Platz 1, 74635 Kupferzell, Germany
Phone +49 (0) 7940 1230 · info@gemue.de
www.gemu-group.com