

GEMÜ K410

Butterfly valve with bare shaft



Features

- Low weight
- Corrosion resistant plastic body
- Simple installation with union nut
- Universal fitting

Description

The GEMÜ K410 butterfly valve has a bare shaft. The GEMÜ RSK check valve is available in plastic.

Technical specifications

- **Media temperature :** 0 to 60 °C
- **Ambient temperature:** -10 to 60 °C
- **Operating pressure :** 0 to 6 bar
- **Nominal sizes:** DN 15 to 50
- **Connection types:** Union end
- **Connection standards :** BS | DIN
- **Housing materials:** PVC-U, grey
- **Liner materials:** EPDM | FKM | Silicone
- **Disc materials:** PP-H
- **Conformities:** EAC

Technical data depends on the respective configuration



Product line



| | GEMÜ K410 | GEMÜ 417 | GEMÜ 410 | GEMÜ 423 |
|---------------------------|-------------|-------------|-------------|-------------|
| Operation | | | | |
| With bare shaft | ● | - | - | - |
| manually | - | ● | - | - |
| Pneumatic | - | - | ● | - |
| Motorized | - | - | - | ● |
| Nominal sizes | DN 15 to 50 | DN 15 to 50 | DN 15 to 50 | DN 15 to 50 |
| Media temperature | 0 to 60 °C | 0 to 60 °C | 0 to 60 °C | 0 to 60 °C |
| Operating pressure | 0 to 6 bar | 0 to 6 bar | 0 to 6 bar | 0 to 6 bar |
| Connection types | | | | |
| Union end | ● | ● | ● | ● |
| Conformities | | | | |
| CSA | - | - | - | ● |
| EAC | ● | ● | ● | ● |

Product description

Configuration



| Item | Name | Material |
|------|------------------|-------------|
| 1 | Valve body | PVC-U, grey |
| 2 | Pipe connections | PVC-U, grey |

Order data

The order data provide an overview of standard configurations.

Please check the availability before ordering. Other configurations available on request.

Products ordered with **bold marked ordering options** are so-called preferred series. Depending on the nominal size, these are available more quickly.

Order codes

| 1 Type | Code |
|---------------------|------|
| Valve body, plastic | K410 |

| 2 DN | Code |
|-------|------|
| DN 15 | 15 |
| DN 20 | 20 |
| DN 25 | 25 |
| DN 32 | 32 |
| DN 40 | 40 |
| DN 50 | 50 |

| 3 Body configuration | Code |
|----------------------|------|
| 2/2-way body | D |

| 4 Connection type | Code |
|--|------|
| Union end with insert (socket) – DIN | 7 |
| Union end with inch insert – BS (socket) | 33 |

| 5 Body material | Code |
|-----------------|------|
| PVC-U, grey | 1 |

| 6 Shut-off seal material | Code |
|--------------------------|------|
| FKM | 4 |
| EPDM | 14 |

Order example

| Ordering option | Code | Description |
|--------------------------|------|--------------------------------------|
| 1 Type | K410 | Valve body, plastic |
| 2 DN | 25 | DN 25 |
| 3 Body configuration | D | 2/2-way body |
| 4 Connection type | 7 | Union end with insert (socket) – DIN |
| 5 Body material | 1 | PVC-U, grey |
| 6 Shut-off seal material | 14 | EPDM |

Technical data

Medium

Working medium: Corrosive, inert, gaseous and liquid media which have no negative impact on the physical and chemical properties of the body, disc and seal material. The product is only suitable for use with fluids of group 2 according to the Pressure Equipment Directive.

Control medium: Inert gases

Temperature

Media temperature: 0 – 60 °C

Ambient temperature: -10 – 60 °C

Storage temperature: 0 – 40 °C

Control medium temperature: max. 60 °C

Pressure

Operating pressure: 0 – 6 bar

Kv values:

| DN | Kv value |
|----|----------|
| 15 | 7.0 |
| 20 | 13.0 |
| 25 | 17.0 |
| 32 | 33.0 |
| 40 | 53.0 |
| 50 | 74.0 |

Kv values in m³/h

Pressure/temperature correlation:

| Material | Code | Temperature | Permissible operating pressure |
|----------|------|-------------|--------------------------------|
| PVC-U | 1 | 10 | 10.0 |
| | | 20 | 10.0 |
| | | 25 | 10.0 |
| | | 30 | 8.0 |
| | | 40 | 6.0 |
| | | 50 | 3.5 |
| | | 60 | 1.5 |

Temperatures in °C

Pressures in bar

All pressures are gauge pressures.

The permissible operating pressure depends on the working medium temperature.

Product compliance

Pressure Equipment Directive: 2014/68/EU

Mechanical data

Torques:

| DN | Torques |
|----|---------|
| 15 | 6.0 |
| 20 | 6.0 |
| 25 | 6.0 |
| 32 | 8.0 |
| 40 | 20.0 |
| 50 | 21.0 |

Torques in Nm

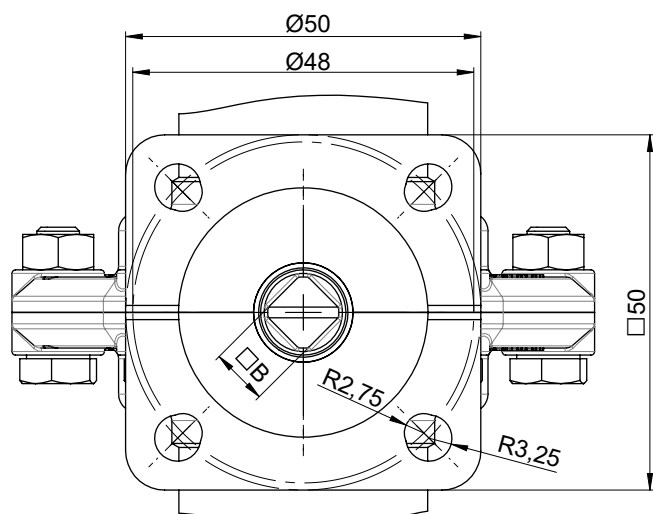
Weight:

| DN | Weights |
|----|---------|
| 15 | 0.360 |
| 20 | 0.390 |
| 25 | 0.400 |
| 32 | 0.700 |
| 40 | 1.072 |
| 50 | 1.200 |

Weights in kg

Dimensions

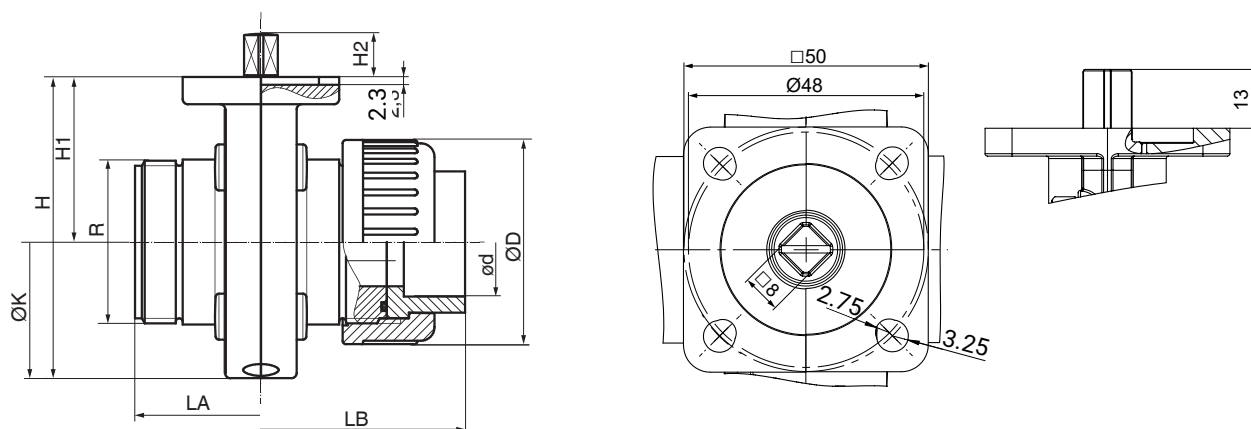
Actuator flange F05/G05



| DN | □B | ØE | ØR | L max | L min | H2 |
|----|-----|------|------|-------|-------|------|
| 15 | 8.0 | 25.0 | 10.0 | 18.0 | 7.0 | 13.0 |
| 20 | 8.0 | 25.0 | 10.0 | 18.0 | 7.0 | 13.0 |
| 25 | 8.0 | 25.0 | 10.0 | 18.0 | 7.0 | 13.0 |
| 32 | 8.0 | 65.0 | 10.0 | 34.0 | 22.0 | 13.0 |
| 40 | 8.0 | 80.0 | 12.0 | 42.0 | 30.0 | 13.0 |
| 50 | 8.0 | 90.0 | 12.0 | 42.0 | 30.0 | 13.0 |

Dimensions in mm

Body



| DN | LA | LB | H | H1 | H2 | øD | ød | R | øK |
|----|-------|-------|-------|------|------|-------|------|---------|-------|
| 15 | 74.0 | 114.0 | 89.0 | 48.5 | 13.0 | 60.0 | 20.0 | G 1 1/2 | 80.0 |
| 20 | 74.0 | 118.0 | 89.0 | 48.5 | 13.0 | 60.0 | 25.0 | G 1 1/2 | 80.0 |
| 25 | 74.0 | 124.0 | 89.0 | 48.5 | 13.0 | 60.0 | 32.0 | G 1 1/2 | 80.0 |
| 32 | 80.0 | 138.0 | 106.0 | 57.5 | 13.0 | 74.0 | 40.0 | G 2 | 96.0 |
| 40 | 94.0 | 162.0 | 112.0 | 58.0 | 13.0 | 83.0 | 50.0 | G 2 1/4 | 108.0 |
| 50 | 106.0 | 188.0 | 137.0 | 74.0 | 13.0 | 103.0 | 63.0 | G 2 3/4 | 126.0 |

Dimensions in mm

Add-on components



GEMÜ 9428

Motorized quarter turn actuator

The product is a motorized quarter turn actuator. The actuator is designed for DC or AC operating voltages. A manual override and an optical position indicator are integrated as standard. The torque in the end positions is increased. This enables a closing curve matched to the valves.



GEMÜ J4C

Motorized quarter turn actuator

The J4C actuator is a motorized quarter turn actuator. The motor is designed for DC and AC operating voltages. A manual override and an optical position indicator are integrated as standard. The end positions are potential-free and adjustable.



GEMÜ BC

Motorized quarter turn actuator

GEMÜ BC is a motorized quarter turn actuator. The weather-proof actuator has an aluminium housing and is available with different supply voltages and frequencies. The LOGIC version has a display and an on-site control. A manual override and an optical position indicator are integrated as standard. The actuator has adjustable potential-free limit switches and an integrated heating.



GEMÜ 9415

Pneumatic quarter turn actuator

The GEMÜ 9415 pneumatically operated plastic quarter turn actuator has a stable plastic housing made from glass fibre reinforced PP. The quarter turn movement ($90 + 3^\circ$) is transmitted to the shaft by means of a control piston and a sloping thread. By turning the positioning element 90° during assembly Normally Closed or Normally Open versions can be achieved.



GEMÜ Gebr. Müller Apparatebau GmbH & Co. KG
Gert-Müller-Platz 1, 74635 Kupferzell, Germany
Phone +49 (0) 7940 1230 · info@gemue.de
www.gemu-group.com