

## GEMÜ 549 eSyDrive

### Motorized angle seat globe valve



### Features

- CIP/SIP capable
- Linear or modified equal-percentage control characteristics
- Open/Close function, positioner and process controller
- Actuation force and actuating speed variably adjustable
- Operable via web interface eSy-Web and Modbus TCP
- Extensive functions, such as position feedback, diagnostic functions and opening and closing stroke limitation

### Description

The GEMÜ 549 eSyDrive is an electrically operated 2/2-way angle seat globe valve with a hollow shaft electric actuator. The eSyDrive hollow shaft actuator can be operated as On/Off or with integrated positioner or process controller. The valve spindle is sealed by a self-adjusting gland packing. This provides a low-maintenance and reliable valve spindle seal even after an extended period of operation. A wiper ring fitted in front of the gland packing protects the seal against contamination and damage. An integral optical and electrical position indicator is standard.

### Technical specifications

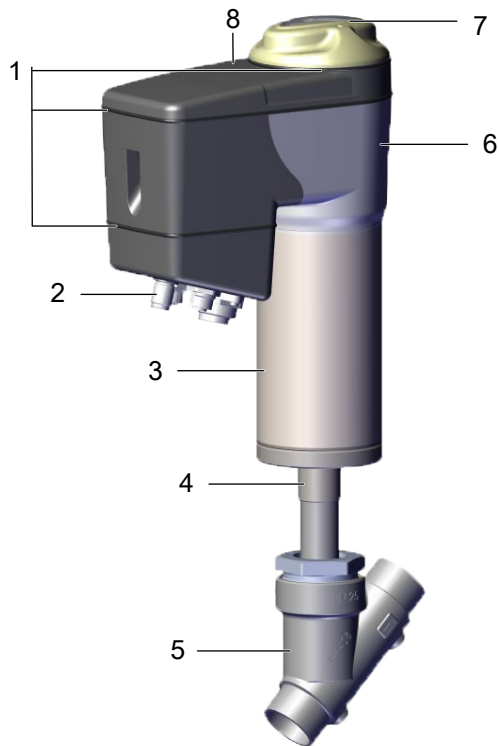
- **Media temperature:** -40 to 250 °C
- **Ambient temperature:** -10 Up to 60 °C
- **Operating pressure :** 0 Up to 25 bar
- **Nominal sizes:** DN 10 to 80
- **Body configurations:** Angle valve body | Straight through body
- **Connection types:** Clamp | Flange | Spigot | thread
- **Connection standards :** ANSI | ASME | BS | DIN | EN | ISO | NPT | SMS
- **Body materials:** (316L), forging material | 1.4408, investment casting material | 1.4435, investment casting material
- **Seat seal materials:** 1.4404 | PTFE | PTFE, reinforced
- **Supply voltage:** 24 V DC
- **Actuating speed:** max. 6 mm/s
- **Protection class :** IP 65
- **Conformities:** EAC | FDA | Oxygen | Reg. (EU) No. 10/2011 | Regulation (EC) No. 1935/2004 | TA Luft (German Clean Air Act)

Technical data depends on the respective configuration



## Product description

### Construction



Item	Name	Materials
1	O-rings	EPDM
2	Electrical connections	
3	Actuator base	1.4301 / 1.4305
4	Distance piece with leak detection hole	1.4408
5	Valve body	1.4408, 1.4435
6	Optical position indicator	PESU (AG0, AG2, AG3) PC (AG1)
7	Cover with high visibility LED, manual override and on-site control	PESU (AG0, AG2, AG3) PC (AG1)
8	Actuator top	PESU black (AG0, AG2, AG3) PC black (AG1)

## GEMÜ CONEXO

The interaction of valve components that are equipped with RFID chips and an associated IT infrastructure actively increase process reliability.



Thanks to serialization, every valve and every relevant valve component such as the body, actuator or diaphragm, and even automation components, can be clearly traced and read using the CONEXO pen RFID reader. The CONEXO app, which can be installed on mobile devices, not only facilitates and improves the "installation qualification" process, but also makes the maintenance process much more transparent and easier to document. The app actively guides the maintenance technician through the maintenance schedule and directly provides him with all the information assigned to the valve, such as test reports, testing documentation and maintenance histories. The CONEXO portal acts as a central element, helping to collect, manage and process all data.

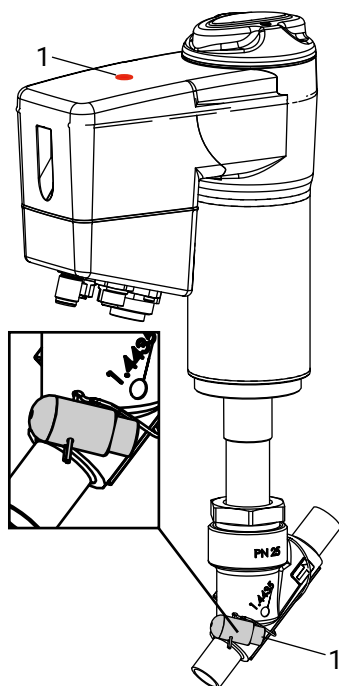
**For further information on GEMÜ CONEXO please visit:**

[www.gemu-group.com/conexo](http://www.gemu-group.com/conexo)

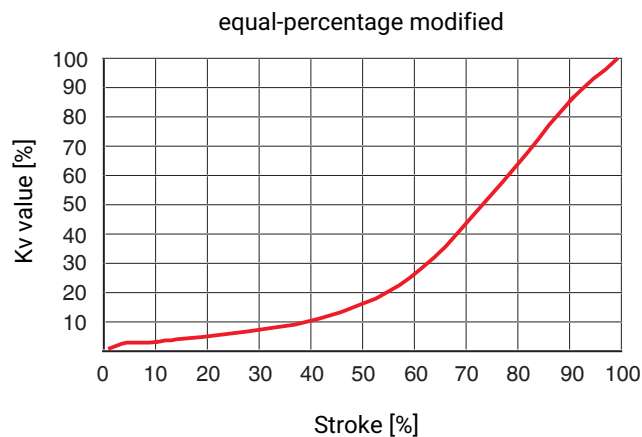
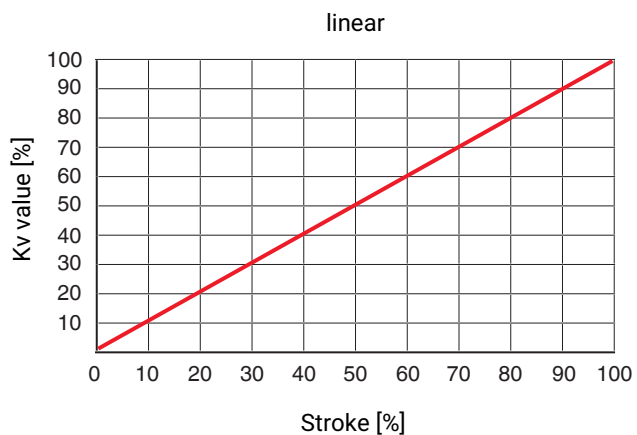
### Ordering

GEMÜ Conexo must be ordered separately with the ordering option "CONEXO".

In the corresponding design with CONEXO, this product has an RFID chip (1) for electronic identification purposes. The position of the RFID chip can be seen below. The CONEXO pen helps read out information stored in the RFID chips. The CONEXO app or CONEXO portal is required to display this information.

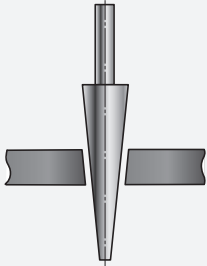
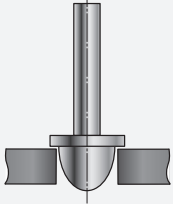
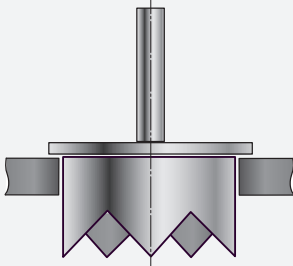


### Kv value diagram



The diagram shows the approximative curve of the Kv value characteristic. The characteristic may deviate depending on valve body, nominal size, regulating cone and valve stroke.

### Regulating cone/regulating cage

Regulating needle	Regulating cone	Regulating cage
		
Regulating needle: RAxxx – RCxxx (reduced valve seat)	Regulating cone: DN 15 - 50	Regulating cage: DN 65 – 80

## Availability

### Availability of valve bodies

#### Spigot

DN	Connection type code <sup>1)</sup>														
	0	16	17			37		59			60			63	65
	Material code <sup>2)</sup>														
	34	34	34	37	C2	34	37	34	37	C2	34	37	C2	37	34
10	-	X	X	-	X	-	-	-	-	-	X	-	X	-	-
15	X	X	X	X	X	-	-	X	-	X	X	X	X	X	X
20	X	X	X	X	X	-	-	X	-	X	X	X	X	X	X
25	X	X	X	X	X	X	-	X	-	X	X	X	X	X	X
32	-	X	X	X	X	-	-	-	-	-	X	X	X	-	X
40	X	X	X	X	X	X	-	X	-	X	X	X	X	X	X
50	X	X	X	X	X	X	-	X	-	X	X	X	X	X	X
65	-	-	-	X	X	-	X	-	X	X	-	X	X	X	-
80	-	-	-	X	X	-	X	-	X	X	-	X	X	X	-

X = Standard

#### 1) Connection type

Code 0: Spigot DIN

Code 16: Spigot DIN EN 10357 series B (2014 issue; formerly DIN 11850 series 1)

Code 17: Spigot EN 10357 series A/DIN 11866 series A, formerly DIN 11850 series 2

Code 37: Spigot SMS 3008

Code 59: Spigot ASME BPE/DIN EN 10357 series C (from 2022 issue)/DIN 11866 series C

Code 60: Spigot ISO 1127/DIN EN 10357 series C (2014 issue)/DIN 11866 series B

Code 63: Spigot ANSI/ASME B36.19M schedule 10s

Code 65: Spigot ANSI/ASME B36.19M schedule 40s

#### 2) Valve body material

Code 34: 1.4435, investment casting

Code 37: 1.4408, investment casting

Code C2: 1.4435, investment casting

### Threaded connection

DN	2/2-way body				Angle valve body	
	Connection type code <sup>1)</sup>					
	1	3C	3D	9	1	3D
	Material code <sup>2)</sup>					
10	X	-	-	-	-	-
15	X	X	X	X	X	X
20	X	X	X	X	X	X
25	X	X	X	X	X	X
32	X	X	X	X	X	X
40	X	X	X	X	X	X
50	X	X	X	X	X	X
65	X	X	X	X	-	-

## Availability

DN	2/2-way body				Angle valve body	
	Connection type code <sup>1)</sup>					
	1	3C	3D	9	1	3D
	Material code 37 <sup>2)</sup>					
80	X	X	X	X	-	-

X = Standard

### 1) Connection type

Code 1: Threaded socket DIN ISO 228

Code 3C: Threaded socket Rc ISO 7-1, EN 10226-2, JIS B 0203, BS 21, end-to-end dimension ETE DIN 3202-4 series M8

Code 3D: Threaded socket NPT, end-to-end dimension ETE DIN 3202-4 series M8

Code 9: Threaded spigot DIN ISO 228

### 2) Valve body material

Code 37: 1.4408, investment casting

## Flange

DN	Connection type code <sup>1)</sup>		
	10	13	47
	Material code <sup>2)</sup>		
	37	34	34
15	X	X	X
20	X	X	X
25	X	X	X
32	X	X	X
40	X	X	X
50	X	X	X

X = Standard

### 1) Connection type

Code 10: Flange EN 1092, PN 25, form B, face-to-face dimension FTF EN 558 series 1, ISO 5752, basic series 1

Code 13: Flange EN 1092, PN 25, form B

Code 47: Flange ANSI Class 150 RF

### 2) Valve body material

Code 34: 1.4435, investment casting

Code 37: 1.4408, investment casting

## Clamp

DN	Connection type code <sup>1)</sup>						
	80	82		86		88	
	Material code <sup>2)</sup>						
	34	34	C2	34	C2	34	C2
15	X	X	X	X	X	X	X
20	X	X	X	X	X	X	X
25	X	X	X	X	X	X	X
32	-	X	X	X	X	-	-
40	X	X	X	X	X	X	X
50	X	X	X	X	X	X	X
65	-	-	X	-	X	-	X

DN	Connection type code <sup>1)</sup>						
	80	82		86		88	
	Material code <sup>2)</sup>						
	34	34	C2	34	C2	34	C2
<b>80</b>	-	-	X	-	X	-	X

X = Standard

1) **Connection type**

Code 80: Clamp ASME BPE, face-to-face dimension FTF ASME BPE

Code 82: Clamp DIN 32676 series B, face-to-face dimension FTF EN 558 series 1

Code 86: Clamp DIN 32676 series A, face-to-face dimension FTF EN 558 series 1

Code 88: Clamp ASME BPE, for pipe ASME BPE, face-to-face dimension FTF EN 558 series 1

2) **Valve body material**

Code 34: 1.4435, investment casting

Code C2: 1.4435, investment casting

## Order data

The order data provide an overview of standard configurations.

Please check the availability before ordering. Other configurations available on request.

## Order codes

1 Type	Code
Angle seat valve, electrically operated, electromechanical hollow shaft drive, eSyDrive	549
2 DN	Code
DN 10	10
DN 15	15
DN 20	20
DN 25	25
DN 32	32
DN 40	40
DN 50	50
DN 65	65
DN 80	80
3 Housing configuration	Code
2/2-way body	D
Angle valve body	E
4 Connection type	Code
Spigot	
Spigot DIN	0
Spigot DIN EN 10357 series B (2014 issue; formerly DIN 11850 series 1)	16
Spigot EN 10357 series A/DIN 11866 series A, formerly DIN 11850 series 2	17
Spigot SMS 3008	37
Spigot ASME BPE/DIN EN 10357 series C (from 2022 issue)/DIN 11866 series C	59
Spigot ISO 1127/DIN EN 10357 series C (2014 issue)/DIN 11866 series B	60
Spigot ANSI/ASME B36.19M schedule 10s	63
Spigot ANSI/ASME B36.19M schedule 40s	65
Threaded connection	
Threaded socket DIN ISO 228	1
Threaded socket Rc ISO 7-1, EN 10226-2, JIS B 0203, BS 21, end-to-end dimension ETE DIN 3202-4 series M8	3C
Threaded socket NPT, end-to-end dimension ETE DIN 3202-4 series M8	3D
Threaded spigot DIN ISO 228	9
Flange	
Flange EN 1092, PN 25, form B, face-to-face dimension FTF EN 558 series 1, ISO 5752, basic series 1	10
Flange EN 1092, PN 25, form B	13
Flange ANSI Class 150 RF	47
Clamp	
Clamp ASME BPE, face-to-face dimension FTF ASME BPE	80

4 Connection type	Code
Clamp DIN 32676 series B, face-to-face dimension FTF EN 558 series 1	82
Clamp DIN 32676 series A, face-to-face dimension FTF EN 558 series 1	86
Clamp ASME BPE, for pipe ASME BPE, face-to-face dimension FTF EN 558 series 1	88
5 Valve body material	Code
1.4435, investment casting	34
1.4408, investment casting	37
1.4435 (F316L), forged body	40
1.4435, investment casting	C2
6 Seat seal	Code
PTFE	5
PTFE, glass fibre reinforced	5G
1.4404	10
7 Voltage/Frequency	Code
24 V DC	C1
8 Control module	Code
OPEN/CLOSE, positioner and process controller	L0
9 Regulating cone	Code
Please find the number of the optional regulating cone (R-No.) for the linear or equal-percentage modified regulating cone in the Kv value table.	R...
10 Actuator version	Code
Actuator size 0	0A
Actuator size 1	1A
Actuator size 2	2A
Actuator size 3	3A
11 Type of design	Code
Ra ≤ 0.6 µm (25 µinch) for media wetted surfaces, in accordance with ASME BPE SF2 and SF3, mechanically polished internal	1903
Ra ≤ 0.8 µm (30 µinch) for media wetted surfaces, in accordance with DIN 11866 H3, mechanically polished internal	1904
Ra ≤ 0.4 µm (15 µinch) for media wetted surfaces, in accordance with DIN 11866 H4, ASME BPE SF1, mechanically polished internal	1909
For elevated temperatures	2024
12 Special version	Code
Standard	

12 Special version	Code
Special version for oxygen, (max. temperature 60 °C; max. operating pressure 10 bar), media wetted seal materials and auxiliary materials with BAM testing	S

13 CONEXO	Code
Without	
Integrated RFID chip for electronic identification and traceability	C

### Order example

Ordering option	Code	Description
1 Type	549	Angle seat valve, electrically operated, electromechanical hollow shaft drive, eSyDrive
2 DN	50	DN 50
3 Housing configuration	D	2/2-way body
4 Connection type	1	Threaded socket DIN ISO 228
5 Valve body material	37	1.4408, investment casting
6 Seat seal	5	PTFE
7 Voltage/Frequency	C1	24 V DC
8 Control module	L0	OPEN/CLOSE, positioner and process controller
9 Regulating cone	RS916	60 m <sup>3</sup> /h – mod.EQ
10 Actuator version	2A	Actuator size 2
11 Type of design	1903	Ra ≤ 0.6 µm (25 µinch) for media wetted surfaces, in accordance with ASME BPE SF2 and SF3, mechanically polished internal
12 Special version		Standard
13 CONEXO		Without

## Technical data

### Medium

**Working medium:** Corrosive, inert, gaseous and liquid media which have no negative impact on the physical and chemical properties of the body and seal material.

**Max. permissible viscosity:** 600 mm<sup>2</sup>/s  
Other versions for lower / higher temperatures and higher viscosities on request.

### Temperature

**Media temperature:** -40 – 250 °C  
-10 – 250 °C for K-No. 2024 + seat seal Code 5G, Code 10  
For material code 37 (and 34 only with 3.2. certificate) + K-no. 2013: -40 to 180 °C

**Ambient temperature:** -10 – 60 °C  
-10 – 40 °C for K-No. 2024 + seat seal Code 5G, Code 10

**Storage temperature:** 0 – 40 °C

### Pressure

**Operating pressure:**

DN	Actuator version code			
	0A	1A	2A	3A
10	25	-	-	-
15	25	-	-	-
20	20	25	-	-
25	12	25	-	-
32	-	20	-	-
40	-	12	25	-
50	-	8	16	25
65	-	5	10	24
80	-	4	6	15

All pressures are gauge pressures.

For max. operating pressures the pressure / temperature correlation must be observed.

Higher operating pressures on request

**Leakage rate:**

#### Open/Close valve

Seat seal	Standard	Test procedure	Leakage rate	Test medium
Metal	DIN EN 12266-1	P12	F	Air
EPDM, FKM, PTFE	DIN EN 12266-1	P12	A	Air

#### Control valve

Seat seal	Standard	Test procedure	Leakage rate	Test medium
Metal	DIN EN 60534-4	1	IV	Air
PTFE, FKM, EPDM	DIN EN 60534-4	1	VI	Air

**Pressure/temperature correlation:**

Connection types code <sup>1)</sup>	Material code <sup>2)</sup>	Max. allowable operating pressures in bar at temperature in °C					
		RT	100	150	200	250	300
<b>1, 9, 17, 37, 60, 63, 3C, 3D</b>	<b>37</b>	25.0	23.8	21.4	18.9	17.5	16.1
<b>0, 16, 17, 37, 59, 60, 65</b>	<b>34</b>	25.0	24.5	22.4	20.3	18.2	16.1
<b>13 (DN 15 - 50)</b>	<b>34</b>	25.0	23.6	21.5	19.8	18.6	17.2
<b>80, 88 (DN 15 - 40)</b>	<b>34</b>	25.0	21.2	19.3*	-	-	-
<b>80, 88 (DN 50 - 80)</b>	<b>34</b>	16.0	16.0	16.0*	-	-	-
<b>82 (DN 15 - 32)</b>	<b>34</b>	25.0	21.2	19.3*	-	-	-
<b>82 (DN 40 - 65)</b>	<b>34</b>	16.0	16.0	16.0*	-	-	-
<b>86 (DN 15 - 40)</b>	<b>34</b>	25.0	21.2	19.3*	-	-	-
<b>86 (DN 50 - 65)</b>	<b>34</b>	16.0	16.0	16.0*	-	-	-
<b>10 (DN 15 - 50)</b>	<b>37</b>	25.0	25.0	22.7	21.0	19.8	18.5
<b>47 (DN 15 - 50)</b>	<b>34</b>	15.9	13.3	12.0	11.1	10.2	9.7
<b>0, 16, 17, 59, 60</b>	<b>40</b>	25.0	20.6	18.7	17.1	15.8	14.8
<b>17, 59, 60</b>	<b>C2</b>	25.0	21.2	19.3	17.9	16.8	15.9

\* max. temperature 140 °C

**1) Connection type**

- Code 0: Spigot DIN
- Code 1: Threaded socket DIN ISO 228
- Code 3C: Threaded socket Rc ISO 7-1, EN 10226-2, JIS B 0203, BS 21, end-to-end dimension ETE DIN 3202-4 series M8
- Code 3D: Threaded socket NPT, end-to-end dimension ETE DIN 3202-4 series M8
- Code 9: Threaded spigot DIN ISO 228
- Code 10: Flange EN 1092, PN 25, form B, face-to-face dimension FTF EN 558 series 1, ISO 5752, basic series 1
- Code 13: Flange EN 1092, PN 25, form B
- Code 16: Spigot DIN EN 10357 series B (2014 issue; formerly DIN 11850 series 1)
- Code 17: Spigot EN 10357 series A/DIN 11866 series A, formerly DIN 11850 series 2
- Code 37: Spigot SMS 3008
- Code 47: Flange ANSI Class 150 RF
- Code 59: Spigot ASME BPE/DIN EN 10357 series C (from 2022 issue)/DIN 11866 series C
- Code 60: Spigot ISO 1127/DIN EN 10357 series C (2014 issue)/DIN 11866 series B
- Code 63: Spigot ANSI/ASME B36.19M schedule 10s
- Code 65: Spigot ANSI/ASME B36.19M schedule 40s
- Code 80: Clamp ASME BPE, face-to-face dimension FTF ASME BPE
- Code 82: Clamp DIN 32676 series B, face-to-face dimension FTF EN 558 series 1
- Code 86: Clamp DIN 32676 series A, face-to-face dimension FTF EN 558 series 1
- Code 88: Clamp ASME BPE, for pipe ASME BPE, face-to-face dimension FTF EN 558 series 1

**2) Valve body material**

- Code 34: 1.4435, investment casting
- Code 37: 1.4408, investment casting
- Code 40: 1.4435 (F316L), forged body
- Code C2: 1.4435, investment casting

**Kv values:**

**Open/Close valve**

	Butt weld spigot DIN 11850	Butt weld spigot DIN 11866	Threaded socket DIN ISO 228
DN			
<b>10</b>	-	-	-
<b>15</b>	2.4	5.5	5.4
<b>20</b>	-	11.7	10.0
<b>25</b>	-	20.5	15.2
<b>32</b>	-	33.0	23.0
<b>40</b>	-	51.0	41.0
<b>50</b>	-	61.0	68.0
<b>65</b>	-	80.0	80.0
<b>80</b>	-	100.0	100.0

Kv values determined in accordance with DIN EN 60534. The Kv value specifications refer to the largest actuator for the respective nominal size. The Kv values for other product configurations (e.g. other connections or body materials) may differ.

Kv values in m<sup>3</sup>/h

**Control valve:**

**Standard regulating cone (DIN)**

DN	Kv values	Operating pressure	Actuator version	Linear	Equal percentage
<b>15</b>	5.0	32.0	<b>0A</b>	<b>RS920</b>	<b>RS930</b>
<b>20</b>	10.0	20.0	<b>0A</b>	<b>RS921</b>	<b>RS931</b>
<b>25</b>	15.0	12.0	<b>0A</b>	<b>RS922</b>	<b>RS932</b>
	15.0	32.0	<b>1A</b>	<b>RS923</b>	<b>RS933</b>
<b>32</b>	24.0	20.0	<b>1A</b>	<b>RS924</b>	<b>RS934</b>
<b>40</b>	38.0	12.0	<b>1A</b>	<b>RS925</b>	<b>RS935</b>
	38.0	20.0	<b>2A</b>	<b>RS905</b>	<b>RS915</b>
<b>50</b>	50.0	8.0	<b>1A</b>	<b>RS926</b>	<b>RS936</b>
	60.0	20.0	<b>2A</b>	<b>RS906</b>	<b>RS916</b>
<b>65</b>	60.0	5.0	<b>1A</b>	-	<b>RS937</b>
	60.0	15.0	<b>2A</b>	-	<b>RS917</b>
	60.0	24.0	<b>3A</b>	-	<b>RS981</b>
<b>80</b>	80.0	4.0	<b>1A</b>	-	<b>RS938</b>
	80.0	6.0	<b>2A</b>	-	<b>RS918</b>
	80.0	15.0	<b>3A</b>	-	<b>RS982</b>

Kv values in m<sup>3</sup>/h

**Control valve:**

**Standard regulating cone (ANSI)**

DN	Kv values	Operating pressure	Actuator version	Linear	Equal percentage
<b>15</b>	2.7	32.0	<b>0A</b>	<b>RS961</b>	<b>RS971</b>
<b>20</b>	6.3	20.0	<b>0A</b>	<b>RS962</b>	<b>RS972</b>
<b>25</b>	13.3	12.0	<b>0A</b>	<b>RS963</b>	<b>RS973</b>
	13.3	32.0	<b>1A</b>	<b>RS964</b>	<b>RS974</b>
<b>40</b>	35.6	12.0	<b>1A</b>	<b>RS965</b>	<b>RS975</b>
	35.6	20.0	<b>2A</b>	<b>RS945</b>	<b>RS955</b>
<b>50</b>	50.0	8.0	<b>1A</b>	<b>RS966</b>	<b>RS976</b>
	58.0	20.0	<b>2A</b>	<b>RS946</b>	<b>RS956</b>
<b>65</b>	60.0	5.0	<b>1A</b>	-	<b>RS977</b>
	60.0	15.0	<b>2A</b>	-	<b>RS957</b>
	60.0	24.0	<b>3A</b>	-	<b>RS979</b>
<b>80</b>	80.0	4.0	<b>1A</b>	-	<b>RS978</b>
	80.0	6.0	<b>2A</b>	-	<b>RS958</b>
	80.0	15.0	<b>3A</b>	-	<b>RS980</b>

Kv values in m<sup>3</sup>/h

**Control valve:**

**Standard regulating cone with reduced seat**  
**Valve body material 1.4435 (code 34, C2), 1.4408 (code 37)**

DN	Kv values	Operating pressure	Actuator version	Linear	Equal percentage
<b>15</b>	0.10 <sup>1)</sup>	25.0	<b>0A</b>	<b>RA204</b>	<b>RA407</b>
	0.16 <sup>1)</sup>	25.0	<b>0A</b>	<b>RB210</b>	<b>RA408</b>
	0.25 <sup>1)</sup>	25.0	<b>0A</b>	<b>RB211</b>	<b>RB407</b>
	0.40 <sup>1)</sup>	25.0	<b>0A</b>	<b>RB212</b>	<b>RB408</b>
	0.63 <sup>1)</sup>	25.0	<b>0A</b>	<b>RC207</b>	<b>RC408</b>
	1.00 <sup>1)</sup>	25.0	<b>0A</b>	<b>RC208</b>	<b>RC409</b>
	1.6	25.0	<b>0A</b>	<b>RD209</b>	<b>RD409</b>
	2.50 <sup>2)</sup>	25.0	<b>0A</b>	<b>RE210</b>	<b>RE410</b>
<b>20</b>	1.6	25.0	<b>0A</b>	<b>RD210</b>	<b>RD410</b>
	2.5	25.0	<b>0A</b>	<b>RE211</b>	<b>RE411</b>
	4.0	25.0	<b>0A</b>	<b>RF212</b>	<b>RF412</b>
	6.30 <sup>2)</sup>	25.0	<b>0A</b>	<b>RG213</b>	<b>RG413</b>
<b>25</b>	2.5	25.0	<b>0A</b>	<b>RE212</b>	<b>RE412</b>
	4.0	25.0	<b>0A</b>	<b>RF213</b>	<b>RF413</b>
	6.3	25.0	<b>0A</b>	<b>RG214</b>	<b>RG414</b>
	10.0 <sup>2)</sup>	18.0	<b>0A</b>	<b>RH213</b>	<b>RH413</b>
<b>32</b>	4.0	25.0	<b>0A</b>	<b>RF214</b>	<b>RF414</b>
	6.3	25.0	<b>0A</b>	<b>RG215</b>	<b>RG415</b>
	10.0	20.0	<b>0A</b>	<b>RH214</b>	<b>RH414</b>
	16.0	12.0	<b>0A</b>	<b>RJ210</b>	<b>RJ410</b>
<b>40</b>	6.3	25.0	<b>0A</b>	<b>RG216</b>	<b>RG416</b>
	10.0	20.0	<b>0A</b>	<b>RH215</b>	<b>RH415</b>
	16.0	12.0	<b>0A</b>	<b>RJ211</b>	<b>RJ411</b>
	25.0	18.0	<b>1A</b>	<b>RK207</b>	<b>RK407</b>
<b>50</b>	10.0	18.0	<b>0A</b>	<b>RH216</b>	<b>RH416</b>
	16.0	12.0	<b>0A</b>	<b>RJ212</b>	<b>RJ412</b>
	25.0	19.0	<b>1A</b>	<b>RK208</b>	<b>RK408</b>
	40.0	12.0	<b>1A</b>	<b>RM204</b>	<b>RM404</b>

1) metal seated

2) not for connection codes 37, 59, 80, 88

Kv values in m³/h

## Product compliance

<b>Machinery Directive:</b>	2006/42/EC
<b>Pressure Equipment Directive:</b>	2014/68/EU
<b>Food:</b>	Regulation (EC) No. 1935/2004* Regulation (EC) No. 10/2011* FDA* * depending on version and/or operating parameters
<b>EMC Directive:</b>	2014/30/EU
<b>RoHS Directive:</b>	2011/65/EU

## Mechanical data

<b>Protection class:</b>	IP 65 acc. to EN 60529	
<b>Actuating speed:</b>	Actuator version 0A	Adjustable, max. 6 mm/s
	Actuator version 1A	Adjustable, max. 6 mm/s
	Actuator version 2A	Adjustable, max. 4 mm/s
	Actuator version 3A	Adjustable, max. 2 mm/s

<b>Weight:</b>	<b>Actuator</b>	
	Actuator version 0A	1.8 kg
	Actuator version 1A	3.0 kg
	Actuator version 2A	9.0 kg
	Actuator version 3A	9.3 kg

### Body

DN	Valve body				
	Spigot K514	Threaded socket	Threaded spigot	Flange K514	Clamp
	Connection type code				
	0, 16, 17, 37, 59, 60, 63, 65	1, 31, 3B	9	10, 13, 47	80, 82, 86, 88
<b>15</b>	0.24	0.35	0.31	1.80	0.37
<b>20</b>	0.50	0.35	0.50	2.50	0.63
<b>25</b>	0.50	0.35	0.65	3.10	0.63
<b>32</b>	0.90	0.75	1.00	4.60	1.08
<b>40</b>	1.10	0.98	1.30	5.10	1.28
<b>50</b>	1.80	1.70	1.80	7.20	2.07
<b>65</b>	3.40	3.20	3.40	-	3.69
<b>80</b>	4.20	4.10	4.40	-	4.60

Weights in kg

## Actuator duty cycle and service life

- Service life:** **Control operation** - Class C acc. to EN 15714-2 (1,800,000 start-ups and 1200 start-ups per hour).  
**Open / Close duty** - Minimum 1,000,000 switching cycles at room temperature and permissible duty cycle.
- Duty cycle:** **Control operation** - Class C acc. to EN 15714-2.  
**Open/Close duty** - 100%

## Electrical data

Supply voltage:	Actuator size 0	Actuator size 1	Actuator size 2, 3
Voltage	U <sub>v</sub> = 24 V DC ± 10%		
Rating	Max. 28 W	Max. 65 W	Max. 120 W
Reverse battery protection	Yes		

## Analogue input signals

### Set value

- Input signal:** 0/4 - 20 mA; 0 – 10 V DC (selectable using software)
- Input type:** passive
- Input resistance:** 250 Ω
- Accuracy/linearity:** ≤ ±0.3% of full flow
- Temperature drift:** ≤ ±0.1% / 10°K
- Resolution:** 12 bit
- Reverse battery protection:** No
- Overload proof:** Yes (up to ± 24 V DC)

### Process actual value

- Input signal:** 0/4 - 20 mA; 0 – 10 V DC (selectable using software)
- Input type:** passive
- Input resistance:** 250 Ω
- Accuracy/linearity:** ≤ ±0.3% of full flow
- Temperature drift:** ≤ ±0.1% / 10°K
- Resolution:** 12 bit
- Reverse battery protection:** No
- Overload proof:** Yes (up to ± 24 V DC)

**Digital input signals**

<b>Digital inputs:</b>	3
<b>Function:</b>	Can be selected using software
<b>Voltage:</b>	24 V DC
<b>Logic level "1":</b>	>14 V DC
<b>Logic level "0":</b>	< 8 V DC
<b>Input current:</b>	typ. 2.5 mA (at 24 V DC)

**Analogue output signals****Actual value**

<b>Output signal:</b>	0/4 - 20 mA; 0 – 10 V DC (selectable using software)
<b>Output type:</b>	Active (AD5412)
<b>Accuracy:</b>	$\leq \pm 1\%$ of full flow
<b>Temperature drift:</b>	$\leq \pm 0.1\% / 10^\circ\text{K}$
<b>Load resistor:</b>	$\leq 750\text{ k}\Omega$
<b>Resolution:</b>	10 bit
<b>Overload proof:</b>	Yes (up to $\pm 24\text{ V DC}$ )
<b>Short-circuit proof:</b>	Yes

**Digital output signals****Switching outputs 1 and 2**

<b>Design:</b>	2x make contact, potential-free
<b>Switching voltage:</b>	max. 48 V DC / 48 V AC
<b>Switch rating:</b>	max. 60 W / 2A
<b>Switch points:</b>	Adjustable 0 - 100 %

**Switching output 3**

<b>Function:</b>	Signal fault
<b>Type of contact:</b>	Push-Pull
<b>Switching voltage:</b>	Supply voltage
<b>Switching current:</b>	$\leq 0.1\text{ A}$
<b>Drop voltage:</b>	Max. 2.5 V DC at 0.1 A
<b>Overload proof:</b>	Yes (up to $\pm 24\text{ V DC}$ )
<b>Short-circuit proof:</b>	Yes
<b>Pull-Down resistance:</b>	120 k $\Omega$

### **Communication eSy-Web**

- Interface:** Ethernet
- Function:** Parameterisation via web browser
- IP address:** 192.168.2.1 alterable via web browser
- Subnet screen:** 255.255.252.0 alterable via web browser

The actuator and the PC must be in the same network to use the web server. The IP address of the actuator is entered in the web browser and the actuator can then be parametrised. In order to use more than one actuator, a definitive IP address must be assigned to each actuator in the same network.

### **Communication Modus TCP**

- Interface:** Modbus TCP
- IP address:** 192.168.2.1 alterable via web browser
- Subnet screen:** 255.255.252.0 alterable via web browser
- Port:** 502

**Supported function codes:**

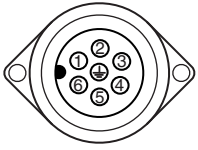
Code Dezimal	Code Hex	Function
3	0x03	Read Holding Registers
4	0x04	Read Input Registers
6	0x06	Write Single Register
16	0x10	Write Multiple Registers
23	0x17	Read / Write Multiple Registers

### **Behaviour in the event of an error**

- Function:** In the event of an error the valve moves to the error position.  
 Notes: Moving to the error position is only possible with full power supply. This behaviour is not a safety position. The valve must be operated with a GEMÜ 1571 emergency power supply module (see accessories) to ensure the function in case of voltage loss.
- Error position:** Closed, open or hold (adjustable via eSy-web web interface).

## Electrical connection

### Connection X1



7-pin plug, Binder, type 693

Pin	Signal name
Pin 1	Uv, 24 V DC supply voltage
Pin 2	Uv GND
Pin 3	Relay output K1, common
Pin 4	Relay output K1, make contact
Pin 5	Relay output K2, common
Pin 6	Relay output K2, make contact
Pin PE	Function earth

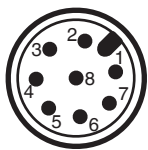
### Connection X2



5-pin M12 built-in socket, D-coded

Pin	Signal name
Pin 1	Tx + (Ethernet)
Pin 2	Rx + (Ethernet)
Pin 3	Tx - (Ethernet)
Pin 4	Rx - (Ethernet)
Pin 5	Shield

### Connection X3



8-pin M12 plug, A-coded

Pin	Signal name
Pin 1	W+ set value input
Pin 2	W – set value input
Pin 3	X + actual value output
Pin 4	GND (actual value output, digital input 1 – 3, error message output)
Pin 5	Error message output 24 V DC
Pin 6	Digital input 3
Pin 7	Digital input 1
Pin 8	Digital input 2

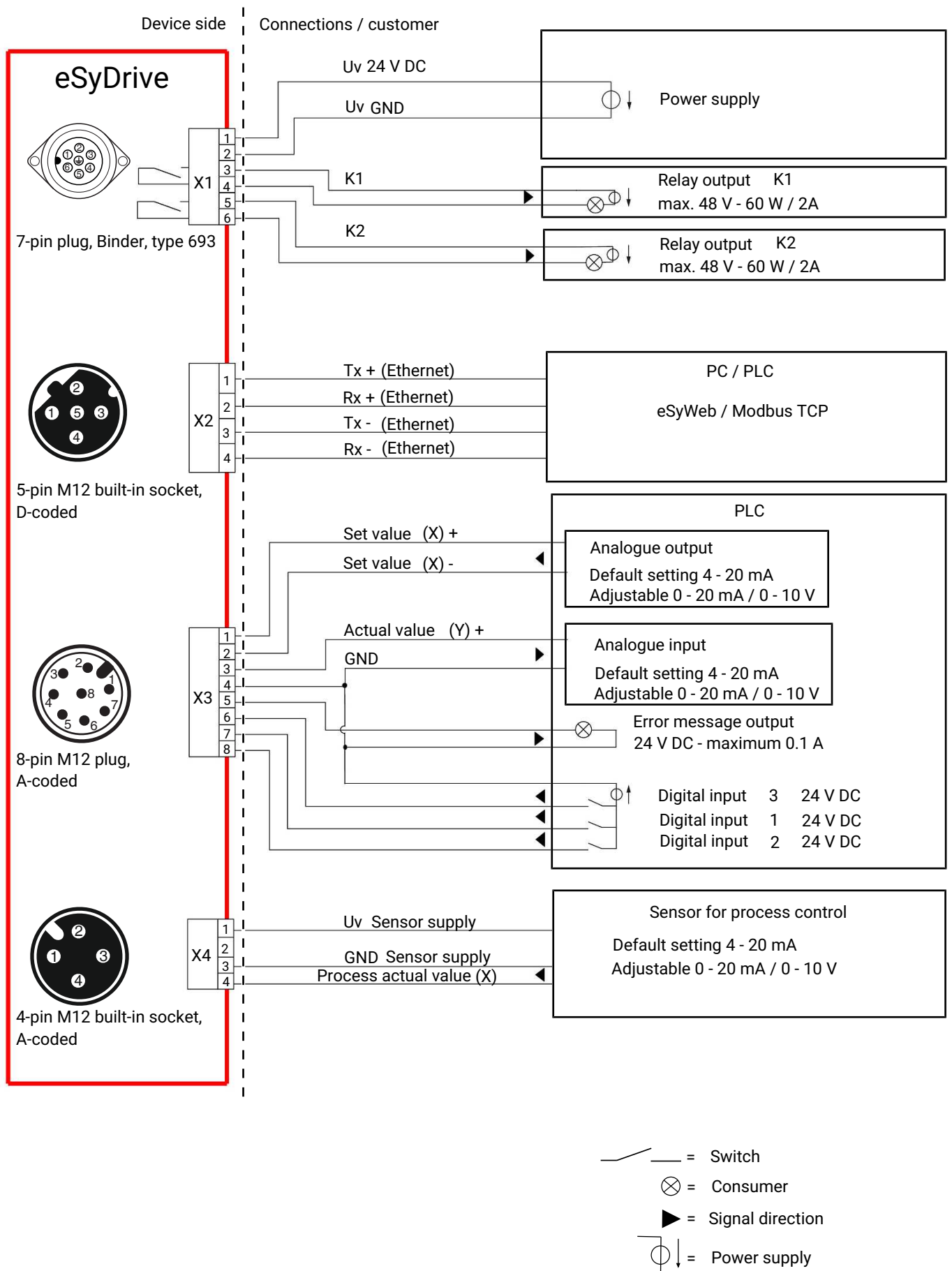
### Connection X4



4-pin M12 built-in socket, A-coded

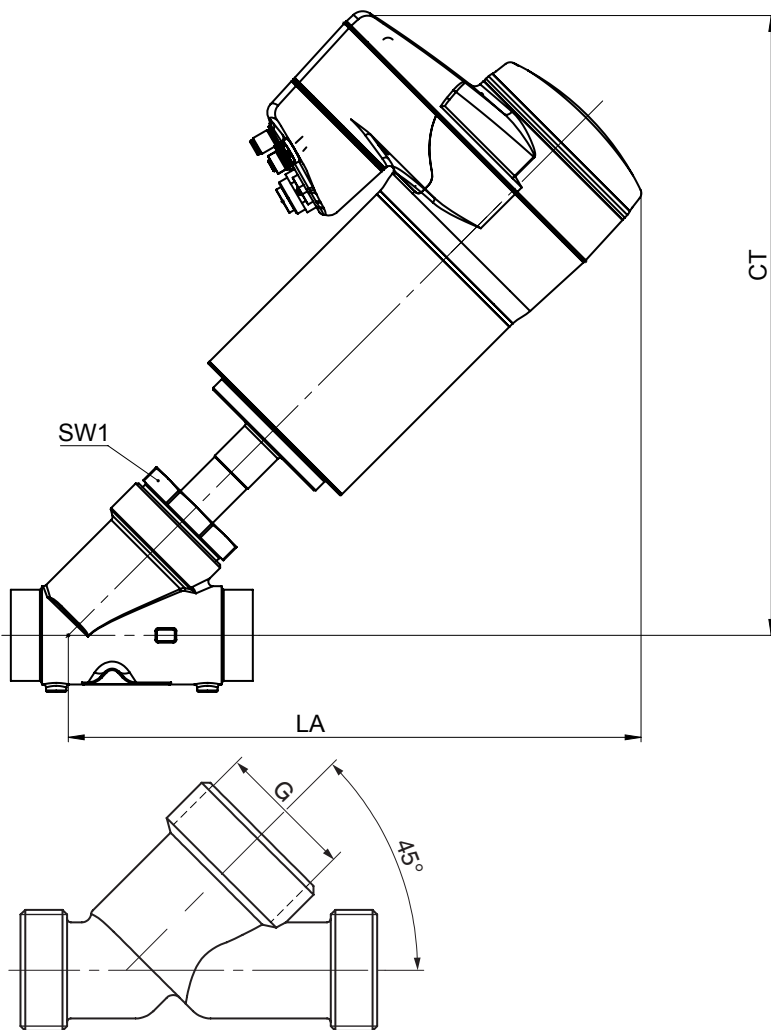
Pin	Signal name
Pin 1	UV, 24 V DC actual value supply
Pin 2	n.c.
Pin 3	GND (actual value supply, actual value input)
Pin 4	X+, process actual value input
Pin 5	n.c.

**Connection diagram**



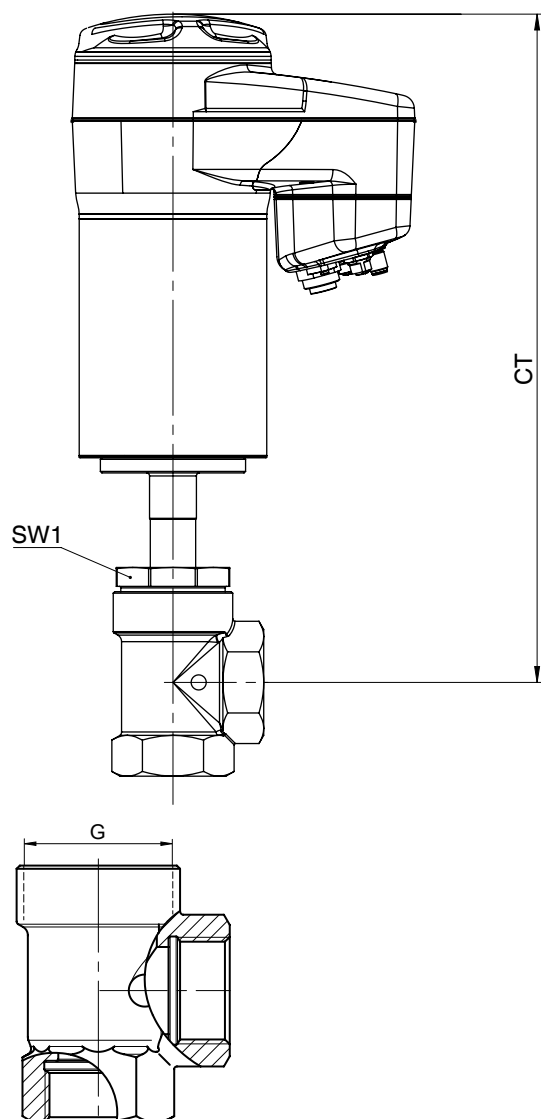
## Dimensions

### Installation dimensions - Valve with 2/2-way body



DN	SW1	G	Actuator version code							
			0A		1A		2A		3A	
			CT	LA	CT	LA	CT	LA	CT	LA
10	36	-	287.0	242.0	-	-	-	-	-	-
15	36	M 34x1.5	290.0	245.0	-	-	-	-	-	-
20	41	M 40x1.5	300.0	255.0	341.0	299.0	-	-	-	-
25	46	M 45x1.5	300.0	255.0	341.0	299.0	-	-	-	-
32	55	M 52x1.5	305.0	257.0	349.0	307.0	402.0	368.0	-	-
40	60	M 60x2.0	-	-	354.0	312.0	407.0	373.0	-	-
50	75	M 72x2.0	-	-	362.0	320.0	405.0	381.0	420.0	395.0
65	75	M 90x2.0	-	-	375.0	333.0	428.0	394.0	443.0	408.0
80	75	M 105x2.0	-	-	-	-	445.0	411.0	460.0	425.0

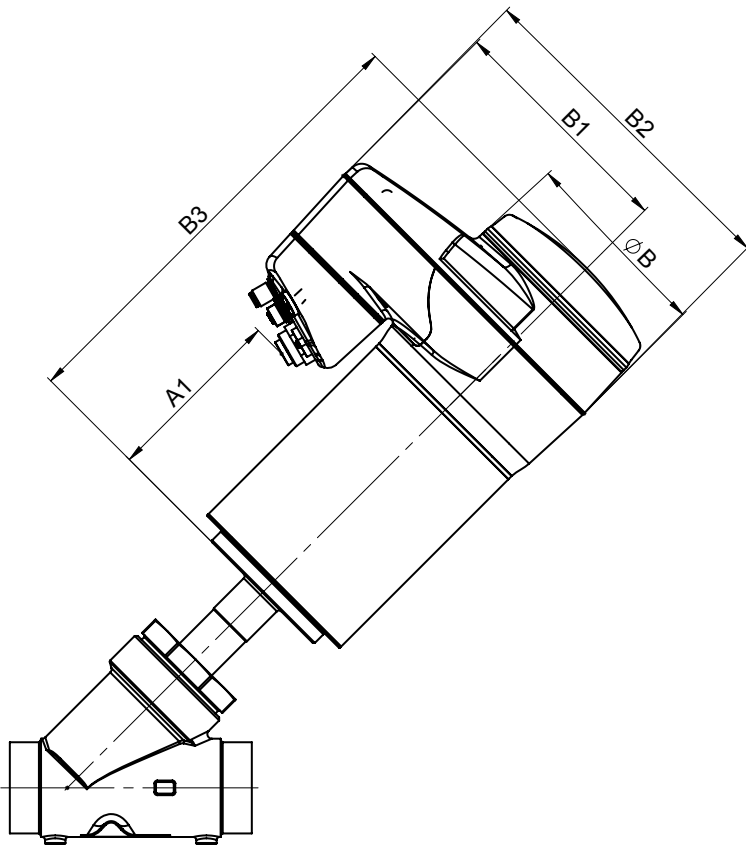
Dimensions in mm

**Installation dimensions - Valve with angle valve body**

DN	SW1	G	CT			
			Actuator version			
			0A	1A	2A	3A
15	36	M 34x1.5	293.0	-	-	-
20	41	M 40x1.5	296.0	353.0	-	-
25	46	M 45x1.5	300.0	357.0	-	-
32	55	M 52x1.5	-	360.0	429.0	-
40	60	M 60x2.0	-	365.0	434.0	-
50	75	M 72x2.0	-	372.0	441.0	464.0

Dimensions in mm

**Actuator dimensions**

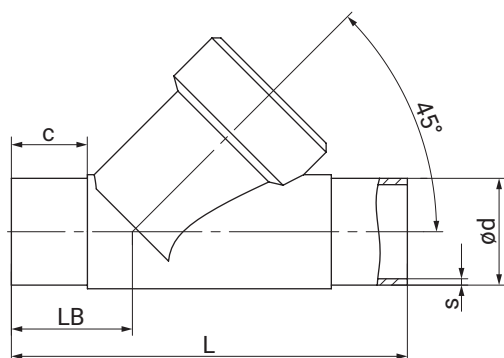


Actuator version	A1	B	B1	B2	B3
0A	45.0	68.0	126.0	160.0	193.0
1A	86.0	82.0	132.0	172.0	252.0
2A	121.0	129.0	157.0	224.0	304.0
3A	144,0	129,0	157,0	224,0	327,0

Dimensions in mm

## Body dimensions

### Spigot DIN/EN/ISO/ANSI/ASME/SMS (code 0, 16, 17, 37, 59, 60, 65)



#### Connection type spigot DIN/EN/ISO (code 0, 16, 17, 60), investment casting material (code 34)<sup>1)</sup>

DN	NPS	c (min)				ød				L	LB	s			
		Connection type										Connection type			
		0	16	17	60	0	16	17	60			0	16	17	60
10	3/8"	-	20	20	20	-	12.0	13.0	17.2	105.0	35.5	-	1.0	1.5	1.6
15	1/2"	20	20	20	20	18.0	18.0	19.0	21.3	105.0	35.5	1.5	1.0	1.5	1.6
20	3/4"	25	25	25	25	22.0	22.0	23.0	26.9	120.0	39.0	1.5	1.0	1.5	1.6
25	1"	24.5	24.5	24.5	24.5	28.0	28.0	29.0	33.7	125.0	38.5	1.5	1.0	1.5	2.0
32	1¼"	-	26	27	29	-	34.0	35.0	42.4	155.0	48.0	-	1.0	1.5	2.0
40	1½"	24	24	24	43.7	40.0	40.0	41.0	48.3	160.0	47.0	1.5	1.0	1.5	2.0
50	2"	29	29	29	29	52.0	52.0	53.0	60.3	180.0	48.0	1.5	1.0	1.5	2.0

#### Connection type spigot ANSI/ASME/SMS (code 37, 59, 65)<sup>2)</sup>, investment casting material (code 34)<sup>1)</sup>

DN	NPS	c (min)			ød			L	LB	s		
		Connection type								Connection type		
		37	59	65	37	59	65			37	59	65
15	1/2"	-	20	20	-	12.70	21.3	105.0	35.5	-	1.65	2.77
20	3/4"	-	25	25	-	19.05	26.7	120.0	39.0	-	1.65	2.87
25	1"	24.5	24.5	24.5	25.0	25.40	33.4	125.0	38.5	1.2	1.65	3.88
32	1¼"	-	-	-	-	-	42.4	155.0	48.0	-	-	3.56
40	1½"	24	24	42	38.0	38.10	48.3	160.0	47.0	1.2	1.65	3.68
50	2"	29	29	29	51.0	50.80	60.3	180.0	48.0	1.2	1.65	3.91

Dimensions in mm

#### 1) Valve body material

Code 34: 1.4435, investment casting

#### 2) Connection type

Code 0: Spigot DIN

Code 16: Spigot DIN EN 10357 series B (2014 issue; formerly DIN 11850 series 1)

Code 17: Spigot EN 10357 series A/DIN 11866 series A, formerly DIN 11850 series 2

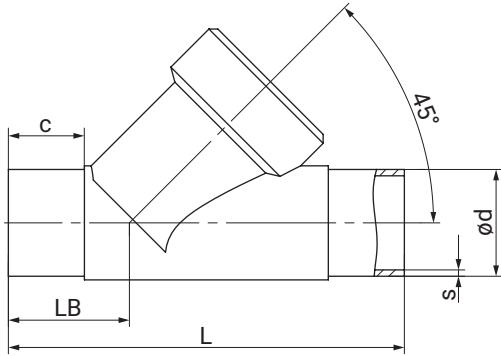
Code 37: Spigot SMS 3008

Code 59: Spigot ASME BPE/DIN EN 10357 series C (from 2022 issue)/DIN 11866 series C

Code 60: Spigot ISO 1127/DIN EN 10357 series C (2014 issue)/DIN 11866 series B

Code 65: Spigot ANSI/ASME B36.19M schedule 40s

**Spigot EN/ISO/ANSI/ASME/SMS (code 17, 37, 59, 60, 63)**



**Connection type spigot EN/ISO/ASME (code 17, 60), investment casting material (code 37)<sup>1)</sup>**

DN	NPS	c (min)		ød		L	LB	s	
		Connection type						Connection type	
		17	60	17	60			17	60
15	1/2"	18.0	18.0	19.0	21.3	100.0	33.0	1.5	1.6
20	3/4"	18.0	18.0	23.0	26.9	108.0	33.0	1.5	1.6
25	1"	18.0	18.0	29.0	33.7	112.0	32.0	1.5	2.0
32	1¼"	18.0	18.0	35.0	42.4	137.0	39.0	1.5	2.0
40	1½"	19.0	18.0	41.0	48.3	146.0	40.0	1.5	2.0
50	2"	20.0	20.0	53.0	60.3	160.0	38.0	1.5	2.0
65	2½"	52.5	47.0	70.0	76.1	290.0	96.0	2.0	2.0
80	3"	50.0	46.5	85.0	88.9	310.0	95.0	2.0	2.3

**Connection type spigot ASME/SMS (code 37, 59)<sup>2)</sup>, investment casting material (code 37)<sup>1)</sup>**

DN	NPS	c (min)		ød		L	LB	s	
		Connection type						Connection type	
		37	59	37	59			37	59
65	2½"	58	58	63.5	63.5	290.0	96.0	1.6	1.65
80	3"	58	58	76.1	76.0	310.0	95.0	1.6	1.65

Dimensions in mm

**1) Valve body material**

Code 37: 1.4408, investment casting

**2) Connection type**

Code 17: Spigot EN 10357 series A/DIN 11866 series A, formerly DIN 11850 series 2

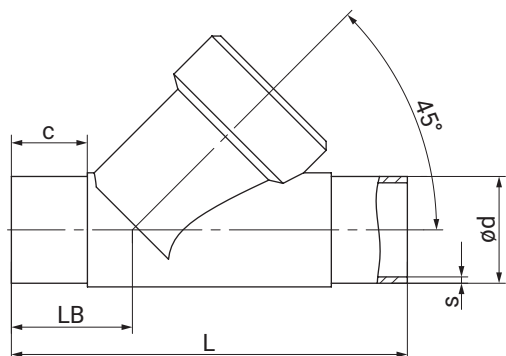
Code 37: Spigot SMS 3008

Code 59: Spigot ASME BPE/DIN EN 10357 series C (from 2022 issue)/DIN 11866 series C

Code 60: Spigot ISO 1127/DIN EN 10357 series C (2014 issue)/DIN 11866 series B

Code 63: Spigot ANSI/ASME B36.19M schedule 10s

**Spigot EN/ISO/ASME (code 17, 59, 60)**



**Connection type spigot EN/ISO/ASME (code 17, 59, 60)<sup>1)</sup>, investment casting material (code C2)**

DN	NPS	c (min)			ød			L	LB	s		
		Connection type								Connection type		
		17	59	60	17	59	60			17	59	60
10	3/8"	20	-	20	13.0	-	17.2	105.0	35.5	1.5	-	1.6
15	1/2"	20	15	20	19.0	12.70	21.3	105.0	35.5	1.5	1.65	1.6
20	3/4"	25	25	25	23.0	19.05	26.9	120.0	39.0	1.5	1.65	1.6
25	1"	24	24	24	29.0	25.40	33.7	125.0	39.5	1.5	1.65	2.0
32	1¼"	27	-	26.1	35.0	-	42.4	155.0	48.0	1.5	-	2.0
40	1½"	24	23	28.9	41.0	38.10	48.3	160.0	47.0	1.5	1.65	2.0
50	2"	28.23	28.23	48	53.0	50.80	60.3	180.0	48.0	1.5	1.65	2.0
65	2½"	52.5	58	52.5	70.0	63.50	76.1	290.0	96.0	2.0	1.65	2.0
80	3"	50.2	58	46.82	85.0	76.20	88.9	310.0	95.0	2.0	1.65	2.3

Dimensions in mm

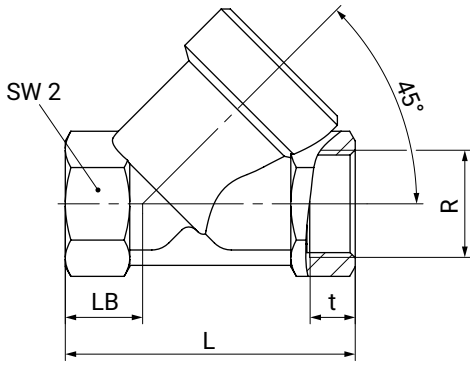
1) **Connection type**

Code 17: Spigot EN 10357 series A/DIN 11866 series A, formerly DIN 11850 series 2

Code 59: Spigot ASME BPE/DIN EN 10357 series C (from 2022 issue)/DIN 11866 series C

Code 60: Spigot ISO 1127/DIN EN 10357 series C (2014 issue)/DIN 11866 series B

**Threaded socket DIN/Rc/NPT body configuration D (code 1, 3C, 3D)**



**Connection type threaded socket DIN (code 1) <sup>1)</sup>, investment casting material (code 37) <sup>2)</sup>**

DN	NPS	L	LB	R	SW2	t
10	3/8"	65.0	16.5	G 3/8	27	11.4
15	1/2"	65.0	16.5	G 1/2	27	15.0
20	3/4"	75.0	17.5	G 3/4	32	16.3
25	1"	90.0	24.0	G 1	41	19.1
32	1 1/4"	110.0	33.0	G 1 1/4	50	21.4
40	1 1/2"	120.0	30.0	G 1 1/2	55	21.4
50	2"	150.0	40.0	G 2	70	25.7
65	2 1/2"	190.0	46.0	G 2 1/2	85	30.2
80	3"	220.0	50.0	G 3	100	33.3

**Connection type threaded socket Rc/NPT (code 3C, 3D) <sup>1)</sup>, investment casting material (code 37) <sup>2)</sup>**

DN	NPS	L	LB	R		SW2	t	
				Connection type			Connection type	
				3C	3D		3C	3D
15	1/2"	65.0	16.5	Rc 1/2	1/2" NPT	27	15.0	13.6
20	3/4"	75.0	17.5	Rc 3/4	3/4" NPT	32	16.3	14.1
25	1"	90.0	24.0	Rc 1	1" NPT	41	19.1	17.0
32	1 1/4"	110.0	33.0	Rc 1 1/4	1 1/4" NPT	50	21.4	17.5
40	1 1/2"	120.0	30.0	Rc 1 1/2	1 1/2" NPT	55	21.4	17.3
50	2"	150.0	40.0	Rc 2	2" NPT	70	25.7	17.8
65	2 1/2"	190.0	46.0	Rc 2 1/2	2 1/2" NPT	85	30.2	23.7
80	3"	220.0	50.0	Rc 3	3" NPT	100	33.3	25.8

Dimensions in mm

**1) Connection type**

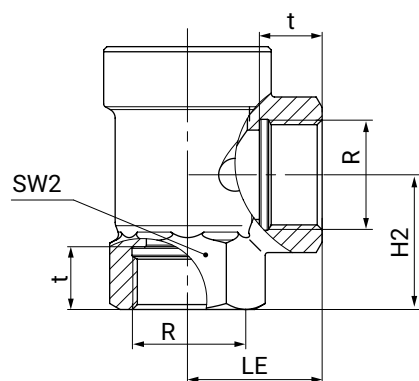
Code 1: Threaded socket DIN ISO 228

Code 3C: Threaded socket Rc ISO 7-1, EN 10226-2, JIS B 0203, BS 21, end-to-end dimension ETE DIN 3202-4 series M8

Code 3D: Threaded socket NPT, end-to-end dimension ETE DIN 3202-4 series M8

**2) Valve body material**

Code 37: 1.4408, investment casting

**Threaded socket DIN/NPT body configuration E (code 1, 3D)****Connection type threaded socket DIN/NPT (code 1, 3D)<sup>1)</sup>, investment casting material (code 37)<sup>2)</sup>**

DN	NPS	H2	LE	SW2	R		t	
					Connection type		Connection type	
					1	3D	1	3D
15	1/2"	30.0	30.0	27	G 1/2	1/2" NPT	15.0	13.6
20	3/4"	37.5	35.0	32	G 3/4	3/4" NPT	16.3	14.1
25	1"	41.0	41.0	41	G 1	1" NPT	19.1	17.0
32	1 1/4"	48.0	50.0	50	G 1 1/4	1 1/4" NPT	21.4	17.5
40	1 1/2"	55.0	50.0	55	G 1 1/2	1 1/2" NPT	21.4	17.3
50	2"	62.0	60.0	70	G 2	2" NPT	25.7	17.8

Dimensions in mm

**1) Connection type**

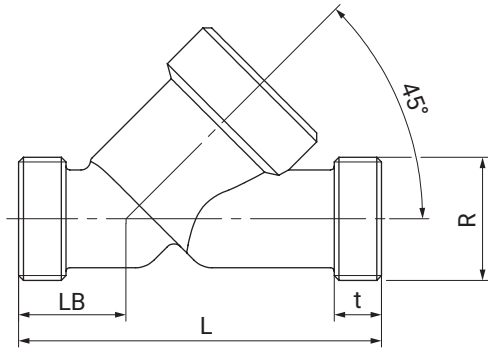
Code 1: Threaded socket DIN ISO 228

Code 3D: Threaded socket NPT, end-to-end dimension ETE DIN 3202-4 series M8

**2) Valve body material**

Code 37: 1.4408, investment casting

**Threaded spigot DIN (code 9)**



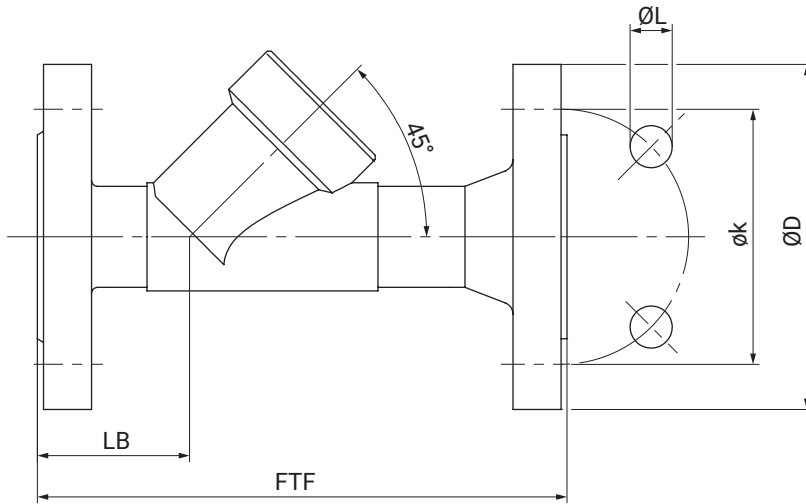
**Connection type threaded spigot DIN (code 9)<sup>1)</sup>, investment casting material (code 37)<sup>2)</sup>**

DN	L	LB	R	t
15	90.0	25.0	G 3/4	12.0
20	110.0	30.0	G 1	15.0
25	118.0	30.0	G 1¼	15.0
32	130.0	38.0	G 1½	13.0
40	140.0	35.0	G 1¾	13.0
50	175.0	50.0	G 2¾	15.0
65	216.0	52.0	G 3	15.0
80	254.0	64.0	G 3½	18.0

Dimensions in mm

- 1) **Connection type**  
Code 9: Threaded spigot DIN ISO 228
- 2) **Valve body material**  
Code 37: 1.4408, investment casting

**Flange EN (code 10)**



**Connection type flange EN (code 10)<sup>1)</sup>, investment casting material (code 37)<sup>2)</sup>**

DN	NPS	ø D	FTF	ø k	ø L	LB	n
15	1/2"	95.0	130.0	65.0	14.0	33.0	4
20	3/4"	105.0	150.0	75.0	14.0	45.0	4
25	1"	115.0	160.0	85.0	14.0	44.0	4
32	1¼"	140.0	180.0	100.0	18.0	51.0	4
40	1½"	150.0	200.0	110.0	18.0	52.0	4
50	2"	165.0	230.0	125.0	18.0	50.0	4

Dimensions in mm

n = number of bolts

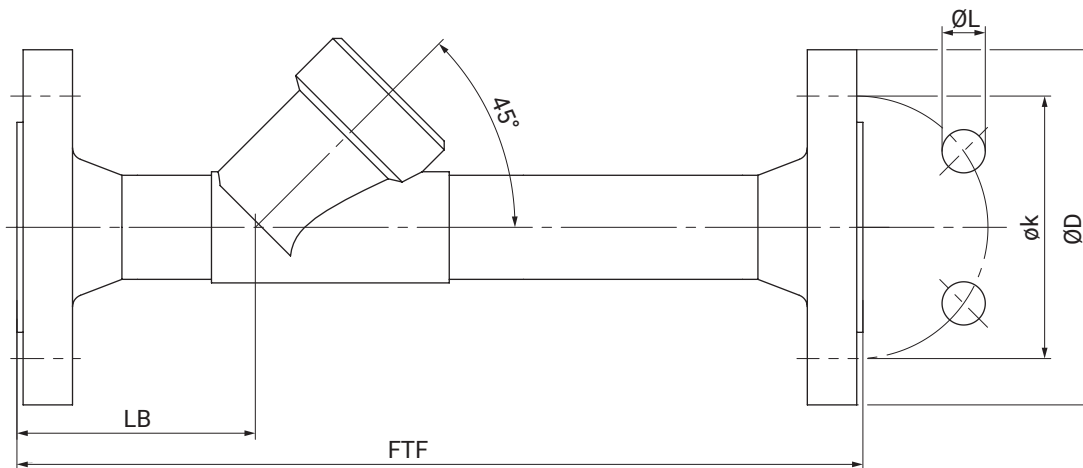
**1) Connection type**

Code 10: Flange EN 1092, PN 25, form B, face-to-face dimension FTF EN 558 series 1, ISO 5752, basic series 1

**2) Valve body material**

Code 37: 1.4408, investment casting

**Flange, special length EN/ANSI (code 13, 47)**



**Connection type flange, special length EN/ANSI (code 13, 47)<sup>1)</sup>, investment casting material (code 34)<sup>2)</sup>**

DN	NPS	ØD		FTF	øk		ØL		LB	n
		Connection type			Connection type		Connection type			
		13	47		13	47	13	47		
15	1/2"	95.0	89.0	210.0	65.0	60.5	14.0	15.7	72.0	4
20	3/4"	105.0	98.6	280.0	75.0	69.8	14.0	15.7	78.0	4
25	1"	115.0	108.0	280.0	85.0	79.2	14.0	15.7	77.0	4
32	1 1/4"	140.0	117.3	310.0	100.0	88.9	18.0	15.7	89.0	4
40	1 1/2"	150.0	127.0	320.0	110.0	98.6	18.0	15.7	91.0	4
50	2"	165.0	152.4	330.0	125.0	120.7	18.0	19.1	95.0	4

Dimensions in mm

n = number of bolts

1) **Connection type**

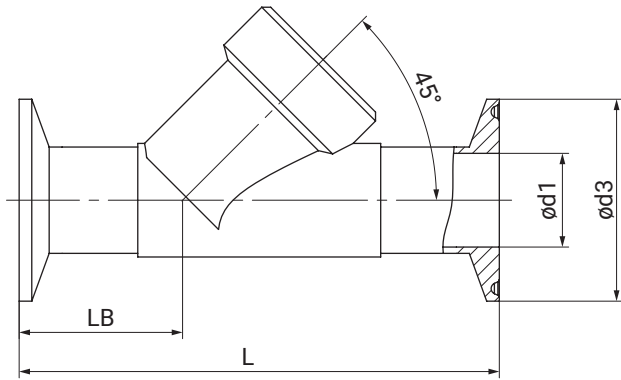
Code 13: Flange EN 1092, PN 25, form B

Code 47: Flange ANSI Class 150 RF

2) **Valve body material**

Code 34: 1.4435, investment casting

**Clamp DIN/ASME (code 80, 82, 86, 88)**



**Connection type clamp DIN/ASME (code 80, 82, 86, 88)<sup>1)</sup>, investment casting material (code 34)<sup>2)</sup>**

DN	NPS	ød1				ød3				L				LB			
		Connection type				Connection type				Connection type				Connection type			
		80	82	86	88	80	82	86	88	80	82	86	88	80	82	86	88
15	1/2"	9.40	18.1	16.0	9.40	25.0	50.5	34.0	25.0	101.6	130.0	130.0	130.0	33.5	47.5	47.5	47.5
20	3/4"	15.75	23.7	20.0	15.75	25.0	50.5	34.0	25.0	101.6	150.0	150.0	150.0	30.0	54.0	54.0	54.0
25	1"	22.10	29.7	26.0	22.10	50.5	50.5	50.5	50.5	114.3	160.0	160.0	160.0	33.0	56.0	56.0	56.0
32	1 1/4"	-	38.4	32.0	-	-	64.0	50.5	-	-	180.0	180.0	-	-	62.0	62.0	-
40	1 1/2"	34.80	44.3	38.0	34.80	50.5	64.0	50.5	50.5	139.7	200.0	200.0	200.0	37.0	67.0	67.0	67.0
50	2"	47.50	56.3	50.0	47.50	64.0	77.5	64.0	64.0	158.8	230.0	230.0	230.0	36.5	73.0	73.0	73.0

Dimensions in mm

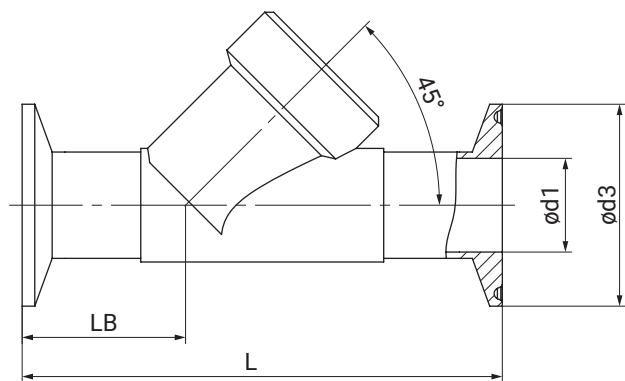
**1) Connection type**

- Code 80: Clamp ASME BPE, face-to-face dimension FTF ASME BPE
- Code 82: Clamp DIN 32676 series B, face-to-face dimension FTF EN 558 series 1
- Code 86: Clamp DIN 32676 series A, face-to-face dimension FTF EN 558 series 1
- Code 88: Clamp ASME BPE, for pipe ASME BPE, face-to-face dimension FTF EN 558 series 1

**2) Valve body material**

- Code 34: 1.4435, investment casting

**Clamp DIN/ASME (code 82, 86, 88)**



**Connection type clamp DIN/ASME (code 82, 86, 88)<sup>1)</sup>, investment casting material (code C2)<sup>2)</sup>**

DN	NPS	ød1			ød3			L	LB
		Connection type			Connection type				
		82	86	88	82	86	88		
15	1/2"	18.1	16.0	9.40	50.5	34.0	25.0	130.0	47.5
20	3/4"	23.7	20.0	15.75	50.5	34.0	25.0	150.0	54.0
25	1"	29.7	26.0	22.10	50.5	50.5	50.5	160.0	56.0
32	1¼"	38.4	32.0	-	64.0	50.5	-	180.0	62.0
40	1½"	44.3	38.0	34.80	64.0	50.5	50.5	200.0	67.0
50	2"	56.3	50.0	47.50	77.5	64.0	64.0	230.0	73.0
65	2½"	72.1	66.0	60.20	91.0	91.0	77.5	290.0	120.0
80	3"	84.3	81.0	72.90	106.0	106.0	91.0	310.0	119.0

Dimensions in mm

1) **Connection type**

Code 82: Clamp DIN 32676 series B, face-to-face dimension FTF EN 558 series 1

Code 86: Clamp DIN 32676 series A, face-to-face dimension FTF EN 558 series 1

Code 88: Clamp ASME BPE, for pipe ASME BPE, face-to-face dimension FTF EN 558 series 1

2) **Valve body material**

Code C2: 1.4435, investment casting

## Error messages

### Accessories



#### GEMÜ 1218

##### Connector

GEMÜ 1218 is a connector (cable socket/cable plug), 7-pin. Straight or 90° angled plug type.

GEMÜ 1218 Binder connector			
<b>Connection X1 – supply voltage, relay outputs</b>			
Binder plug	468/eSy series mating connector	Terminal compartment/ screws, 7-pin	88220649 <sup>1)</sup>
		Terminal compartment/ screws, 7-pin, 90°	88377714
		Terminal compartment/ screws, 7-pin, 90°, fitted with a 2 metre cable set	88770522

1) provided in the scope of delivery

**GEMÜ 1219****Cable socket / cable plug M12**

The GEMÜ 1219 is a connector (cable socket / cable plug) M12, 5-pin. Straight and/or 90° angled plug type. Defined cable length or with threaded connection without cable. Various materials available for the threaded ring.

GEMÜ 1219 Ethernet/M12 cable			
<b>Connection X2 - network connection</b>			
M12 cable plug, straight, 4-pin	Fitted with a 1 metre cable set	Ethernet RJ45	88450499
	Fitted with a 4 metre cable set		88450500
	Fitted with a 15 metre cable set		88450502
M12 cable plug, angled, 4-pin	Fitted with a 4 metre cable set		88715615
<b>Connection X3 – analogue/digital inputs and outputs</b>			
M12 cable socket, straight, 8-pin	Without cable dia. 6–8 mm		88304829 <sup>1)</sup>
	Fitted with a 5 metre cable set, PUR black cable		88758155
M12 cable socket, angled, 8-pin	Without cable dia. 6–8 mm		88422823
	Fitted with a 5 metre cable set, PUR black cable		88374574
<b>Connection X4 – actual value supply, actual value input</b>			
M12 cable plug, straight, 5-pin	Without cable PG7	Nickel-plated brass	88208641
	Fitted with a 2 metre cable set, PUR black cable	5 x 0.34, nickel-plated brass	88208643
	Fitted with a 5 metre cable set, PUR black cable	5 x 0.34, nickel-plated brass	88208644
M12 cable plug, angled, 5-pin	Without cable dia. 6–8 mm	Nickel-plated brass	88208645
	Fitted with a 2 metre cable set, PUR black cable	5 x 0.34, nickel-plated brass	88208649
	Fitted with a 5 metre cable set, PUR black cable	5 x 0.34, nickel-plated brass	88208650

1) provided in the scope of delivery



### GEMÜ 1571

#### Emergency power supply module

The GEMÜ 1571 capacitive emergency power supply module is suitable for valves with motorized actuators such as GEMÜ eSyStep and eSyDrive as well as the GEMÜ C53 iComLine control valve. In the event of a power failure, the product provides an uninterrupted power supply so that the valve can be moved to the safety position. The emergency power supply module is available individually or with an expansion module and can supply several valves. The input and output voltage is 24 V.

GEMÜ 1571 emergency power supply module			
Input voltage	Output voltage	Capacity	Item number
24 V	24 V	1700 Ws	88660398
24 V	24 V	13200 Ws	88751062



### GEMÜ 1573

#### Switching power supply unit

The GEMÜ 1573 switching power supply unit converts unstable input voltages from 100 to 240 V AC into a continuous DC voltage. It can be used as an accessory for valves with motorized actuators e. g. GEMÜ eSyLite, eSyStep und eSyDrive and for additional devices with a 24 V DC power supply. Different power levels, output currents and a 48 V DC version for servoDrive actuators are available.

GEMÜ 1573 switching power supply unit			
Input voltage	Output voltage	Output current	Item number
100 - 240 V AC	24 V DC	5 A	88660400
		10 A	88660401



GEMÜ Gebr. Müller Apparatebau GmbH & Co. KG  
Gert-Müller-Platz 1, 74635 Kupferzell, Germany  
Phone +49 (0) 7940 1230 · info@gemu.de  
www.gemu-group.com