

GEMÜ 417

Manually operated butterfly valve



Features

- Low weight
- Corrosion resistant plastic body
- Simple installation with union nut
- Ergonomic handle with anti-twist system and locking device

Description

The GEMÜ 417 butterfly valve has an ergonomically designed corrosion resistant plastic hand lever. It can be protected against accidental operation by the integrated locking device.

Technical specifications

- **Media temperature :** 0 to 60 °C
- **Ambient temperature:** 10 to 60 °C
- **Operating pressure :** 0 to 6 bar
- **Nominal sizes:** DN 15 to 50
- **Connection types:** Union end
- **Connection standards :** BS | DIN
- **Housing materials:** PVC-U, grey
- **Liner materials:** EPDM | FKM
- **Disc materials:** PP-H
- **Conformities:** EAC

Technical data depends on the respective configuration



Product line



	GEMÜ K410	GEMÜ 417	GEMÜ 410	GEMÜ 423
Operation				
With bare shaft	●	-	-	-
manually	-	●	-	-
Pneumatic	-	-	●	-
Motorized	-	-	-	●
Nominal sizes	DN 15 to 50	DN 15 to 50	DN 15 to 50	DN 15 to 50
Media temperature	0 to 60 °C	0 to 60 °C	0 to 60 °C	0 to 60 °C
Operating pressure	0 to 6 bar	0 to 6 bar	0 to 6 bar	0 to 6 bar
Connection types				
Union end	●	●	●	●
Conformities				
CSA	-	-	-	●
EAC	●	●	●	●

Product description

Configuration



Item	Name	Material
1	Valve body	PVC-U, grey
2	Pipe connections	PVC-U, grey
3	Locking device	PP-RT
4	Manual override	PP-H
5	Union nut	PVC-U, grey

Order data

The order data provide an overview of standard configurations.

Please check the availability before ordering. Other configurations available on request.

Products ordered with **bold marked ordering options** are so-called preferred series. Depending on the nominal size, these are available more quickly.

Order codes

1 Type	Code
Butterfly valve, manually operated	417

2 DN	Code
DN 15	15
DN 20	20
DN 25	25
DN 32	32
DN 40	40
DN 50	50

3 Body configuration	Code
2/2-way body	D

4 Connection type	Code
Union end with insert (socket) – DIN	7
Union end with inch insert – BS (socket)	33

5 Body material	Code
PVC-U, grey	1

6 Shut-off seal material	Code
FKM	4
EPDM	14

7 Control function	Code
Manually operated	0

Order example

Ordering option	Code	Description
1 Type	417	Butterfly valve, manually operated
2 DN	25	DN 25
3 Body configuration	D	2/2-way body
4 Connection type	7	Union end with insert (socket) – DIN
5 Body material	1	PVC-U, grey
6 Shut-off seal material	14	EPDM
7 Control function	0	Manually operated

Technical data

Medium

Working medium: Corrosive, inert, gaseous and liquid media which have no negative impact on the physical and chemical properties of the body, disc and seal material. The product is only suitable for use with fluids of group 2 according to the Pressure Equipment Directive.

Temperature

Media temperature: 0 – 60 °C

Ambient temperature: 10 – 60 °C

Storage temperature: 0 – 40 °C

Pressure

Operating pressure: 0 – 6 bar

Kv values:

DN	Kv value
15	7.0
20	13.0
25	17.0
32	33.0
40	53.0
50	74.0

Kv values in m³/h

Pressure/temperature correlation:

Material	Code	Temperature	Permissible operating pressure
PVC-U	1	10	10.0
		20	10.0
		25	10.0
		30	8.0
		40	6.0
		50	3.5
		60	1.5

Temperatures in °C

Pressures in bar

All pressures are gauge pressures.

The permissible operating pressure depends on the working medium temperature.

Product conformities

Pressure Equipment Directive: 2014/68/EU

Mechanical data

Torques:

DN	Torques
15	6.0
20	6.0
25	6.0
32	8.0
40	20.0
50	21.0

Torques in Nm

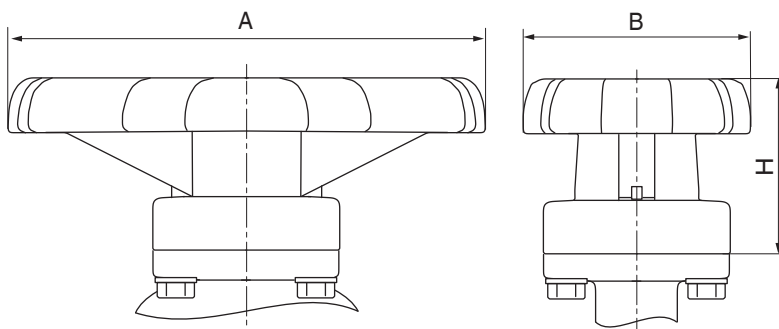
Weight:

DN	Weight
15	0.36
20	0.36
25	0.36
32	0.48
40	0.63
50	0.83

Weights in kg

Dimensions

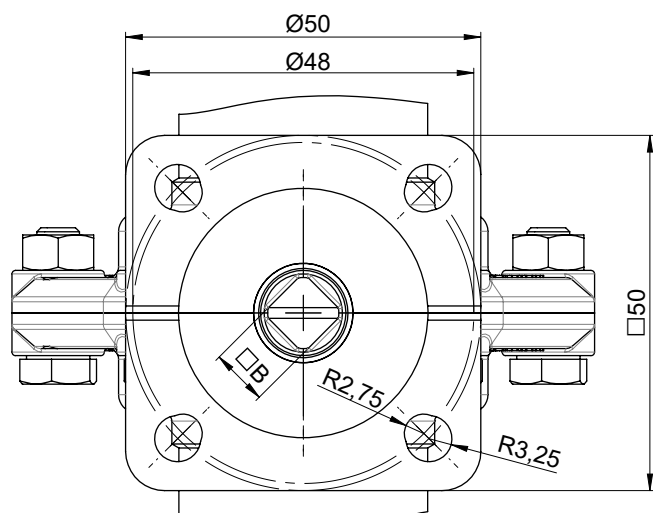
Actuator dimensions



DN	A	B	H
15 - 25	118.0	55.0	42.0
32 - 50	160.0	71.0	63.0

Dimensions in mm

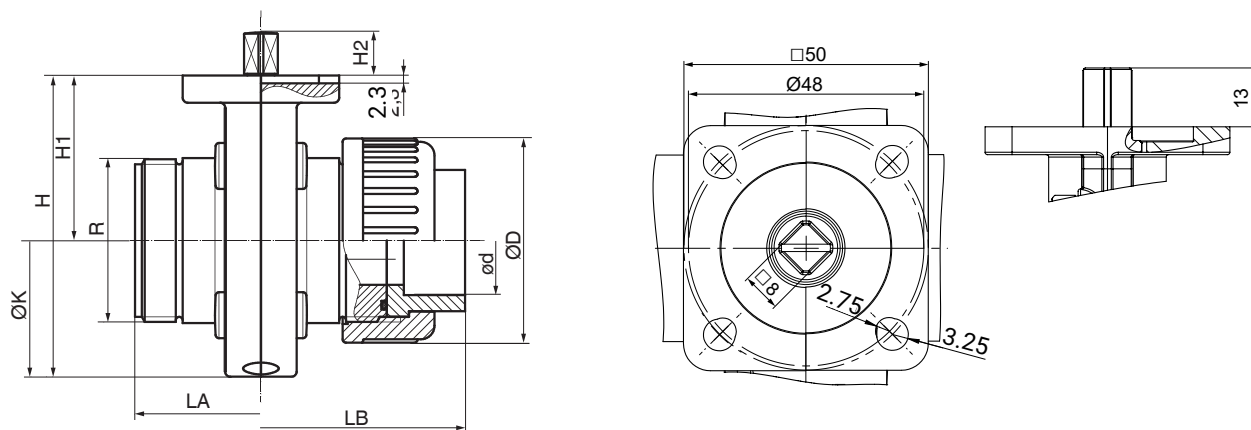
Actuator flange F05/G05



DN	□B	ØE	ØR	L max	L min	H2
15	8.0	25.0	10.0	18.0	7.0	13.0
20	8.0	25.0	10.0	18.0	7.0	13.0
25	8.0	25.0	10.0	18.0	7.0	13.0
32	8.0	65.0	10.0	34.0	22.0	13.0
40	8.0	80.0	12.0	42.0	30.0	13.0
50	8.0	90.0	12.0	42.0	30.0	13.0

Dimensions in mm

Body



DN	LA	LB	H	H1	H2	øD	ød	R	øK
15	74.0	114.0	89.0	48.5	13.0	60.0	20.0	G 1 1/2	80.0
20	74.0	118.0	89.0	48.5	13.0	60.0	25.0	G 1 1/2	80.0
25	74.0	124.0	89.0	48.5	13.0	60.0	32.0	G 1 1/2	80.0
32	80.0	138.0	106.0	57.5	13.0	74.0	40.0	G 2	96.0
40	94.0	162.0	112.0	58.0	13.0	83.0	50.0	G 2 1/4	108.0
50	106.0	188.0	137.0	74.0	13.0	103.0	63.0	G 2 3/4	126.0

Dimensions in mm



GEMÜ Gebr. Müller Apparatebau GmbH & Co. KG
Gert-Müller-Platz 1, 74635 Kupferzell, Germany
Phone +49 (0) 7940 1230 · info@gemue.de
www.gemu-group.com